

GRAB BARS CONCEALED SET SCREW

JOB #:

ITEM #:

QTY:

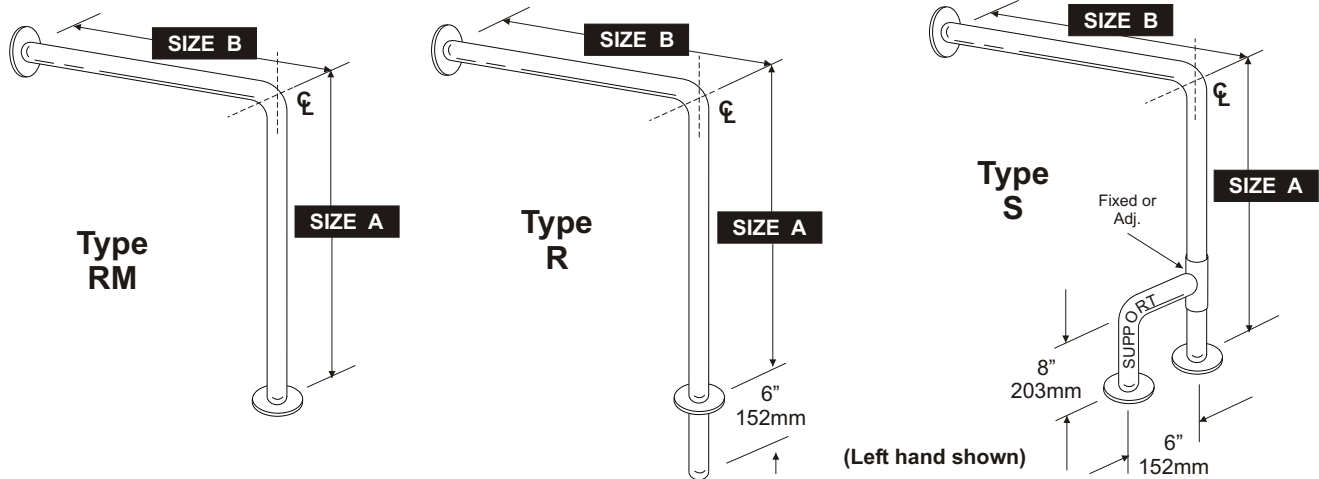
MOUNTING HANDING TYPE SIZE A, B, C OTHER

SUPPORT MOUNTING

- Fixed (Verify Location)
- Adjustable

SUPPORT HANDING

- RH (Right Hand)
- LH (Left Hand)



SPECIFICATIONS:

tubing: Fabricated of type 304 #18 ga stainless steel with a #4 satin finish. Available in 1", 1 1/4" and 1 1/2" outside diameter. All bends are formed by an automatic mandrel bending process. **All bars maintain a constant 1 1/2" offset.**

Flanges: Flanges are fabricated of 3" diameter, 1/2" drawn type 304 #11 ga stainless steel with #4 satin finish to match tubing. Flanges are heliarc welded to bar to form a one piece construction. Each flange is secured to concealed mounting plate with four (4) 1/4"-20 stainless steel tamper resistant set screws.

Mounting Plate: Fabricated of pre-plated #12 ga steel with three (3) mounting key hole slots.

Strength: Bars that provide a 1 1/2" offset can support loads in excess of 900 lbs when properly installed. Other configurations can support loads in excess of 250 lbs when properly installed. Grab bars must be installed to support the loads intended.

Peened Surface: (Safety Grip, Non-Slip) This area of the bar is only found on the gripping surface area.

Unit	Bar Diameter	Surface
UG10	1" (25mm)	Satin Finish
UG20	1 1/4" (32mm)	Satin Finish
UG30	1 1/2" (38mm)	Satin Finish
UG10X	1" (25mm)	Peened Finish
UG20X	1 1/4" (32mm)	Peened Finish
UG30X	1 1/2" (38mm)	Peened Finish

**When measuring and ordering grab bars, remember bars are sized centerline to centerline.*

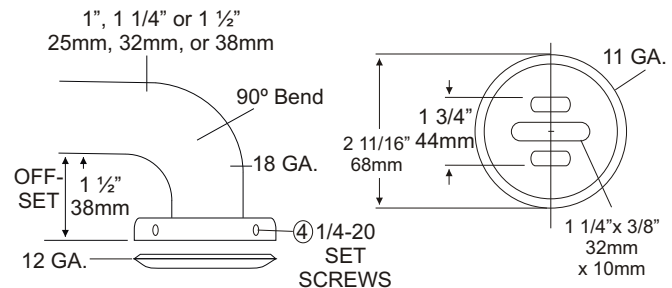
**Grab Bars comply with ADA Code 4.26.2*

**Non-chloric and non-abrasive cleaners should be used to clean surface of bars and flanges.*

INSTALLATION:

Before installing grab bars, verify with all state and local codes for requirements on bar diameter and type finish. Recommended mounting heights for grab bars are 33" - 36" centerline above finished floor. All mounting of grab bars when possible should be in wall mounting back plates. Secure mounting plate to wall surface at specified location with proper anchors (snugly) until proper centerline dimension is achieved. Place bar over plates and secure with supplied set screws. (4 per flange).

FLANGE DIAGRAM



APPLICATION:

To provide a stainless steel concealed mount grab bar that is available in standard and custom configuration that comply's with ADA Code when installed properly.



Form: GBCON_RRMS/2000