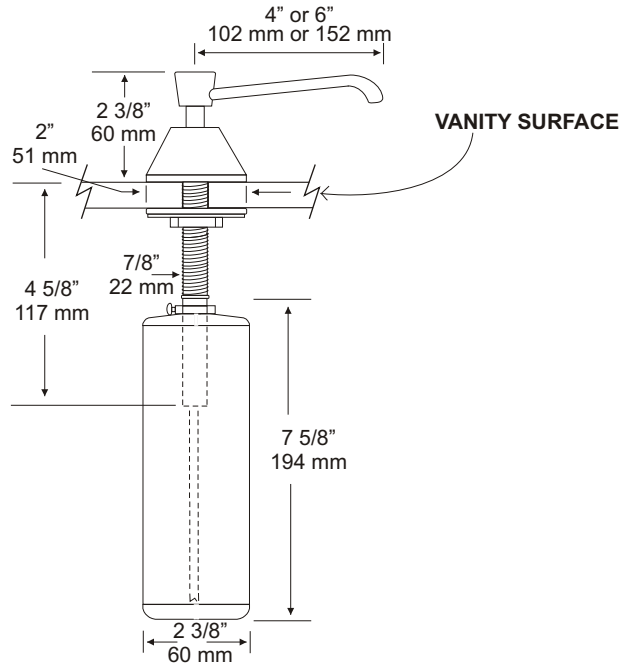


**U113PC
 SOAP DISPENSER
 VANITY MOUNTED**

JOB #:

ITEM #:

QTY:



SPECIFICATIONS:

- Piston & Spout:** Highly polished chrome on brass upper assembly that rotates 180 degrees.
- Flange & Collar:** One piece construction fabricated of highly polished chrome on brass.
- Shank:** One piece construction fabricated of chrome on brass. Unit can be cut in field to conditions under vanity if required.
- Valve:** Bellows valve design with stainless steel spring.
- Globe:** High impact translucent polyethylene.

Unit	Spout	Capacity	Type Soap
U113PC	4" (102mm)	16 oz	Liquid
U113PCA	6" (153mm)	16 oz	Liquid

Recommend liquid and lather type soaps with low viscosity without chloric solutions for proper operation.

Preventative Maintenance: Each dispenser should be cleaned out aprx. Every 30 days with warm water to prevent supply tube and spout from clogging with old soap. Do not use abrasive cleaners to clean dispenser.

INSTALLATION:

Provide a 7/8" diameter opening in the vanity or basin. Insert shank assembly through cut out and secure with supplied washers and wing nut. Connect supply tube with valve making sure notched end is at the bottom. Secure globe and collar to shank. Fill globe above the vanity. Secure the upper assembly to shank. Prime the dispenser every time you service or remove the upper assembly from unit.

Trouble shooting:

- "Unit will not dispense soap"
 Make sure unit has soap in the globe.
 Clean the globe and spout assembly with warm water.
 Check supply tube fro crimping or wrong length.
 Make sure notch is at the bottom of supply tube.
 Check valve for cracks or fractures.
 Make sure soap is being mixed properly.
 Make sure the dispenser is primed.

APPLICATION:

To provide a vanity mounted liquid soap dispenser with poly globe. Unit operates with less than 5 lbs of force.