

**U117 / U117L
 SOAP DISPENSER**

JOB #:

ITEM #:

QTY:

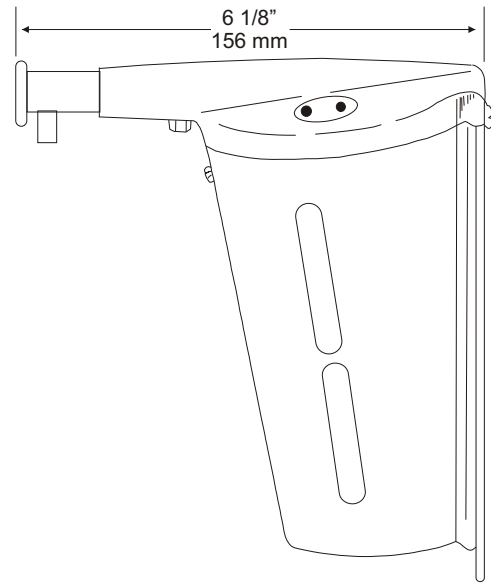
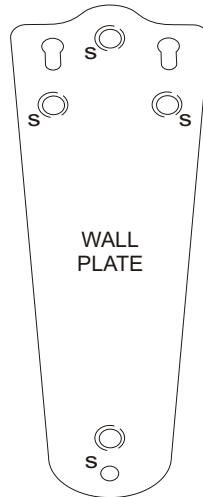
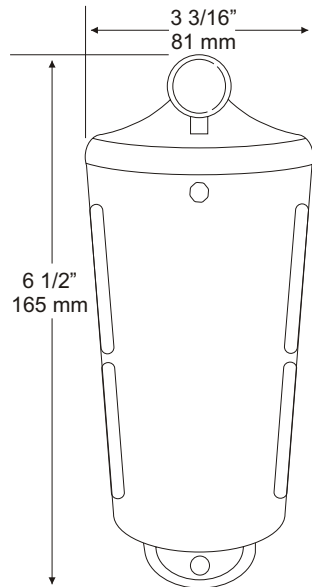
MOUNTING

HANDING

TYPE

SIZE

OTHER



SPECIFICATIONS:

Dispenser: Fabricated of chrome plated brass.
Valve: Push in type valve is fabricated of chrome plated ABS material with a stainless steel return spring. Valve is located above soap level to assure a drip free operation. Available in liquid or lather style.
Globe: Clear, high impact, corrosion resistant container encased in highly polished stainless steel container with slotted sides to allow a constant fluid level check.
Mounting Plate: Theft resistant chrome plated steel wall plate.
Filler Cap: Theft resistant filler cap is equipped with special service key and secured by means of a small chain.

U117: Liquid Soap Dispenser
Overall Size: 3 3/16"W x 6"H x 6 1/8"D
 81mm x 152mm x 156mm
Capacity: 12 fluid oz.

U117L: Same as U117 only equipped with a lather valve in lieu of liquid valve.

INSTALLATION:

Provide an area on wall surface at desired or specified location. Hold mounting plate to surface making sure unit is level and transfer mounting points. Secure plate with proper fasteners per application. Two top screws will set dispenser in place on mounting plate. Secure bottom of dispenser to plate with supplied fastener. Remove service cap and fill dispenser with proper soap. Prime dispenser until soap flows freely.

***For best performance, use pre-mixed low concentrate solutions. Dispensers should have periodic maintenance performed to insure life of dispenser. Rinse out globe and valve with warm water to prevent sludge buildup.*

APPLICATION:

To provide a surface mounted liquid or lather soap dispenser.

Form: U101M/2000