

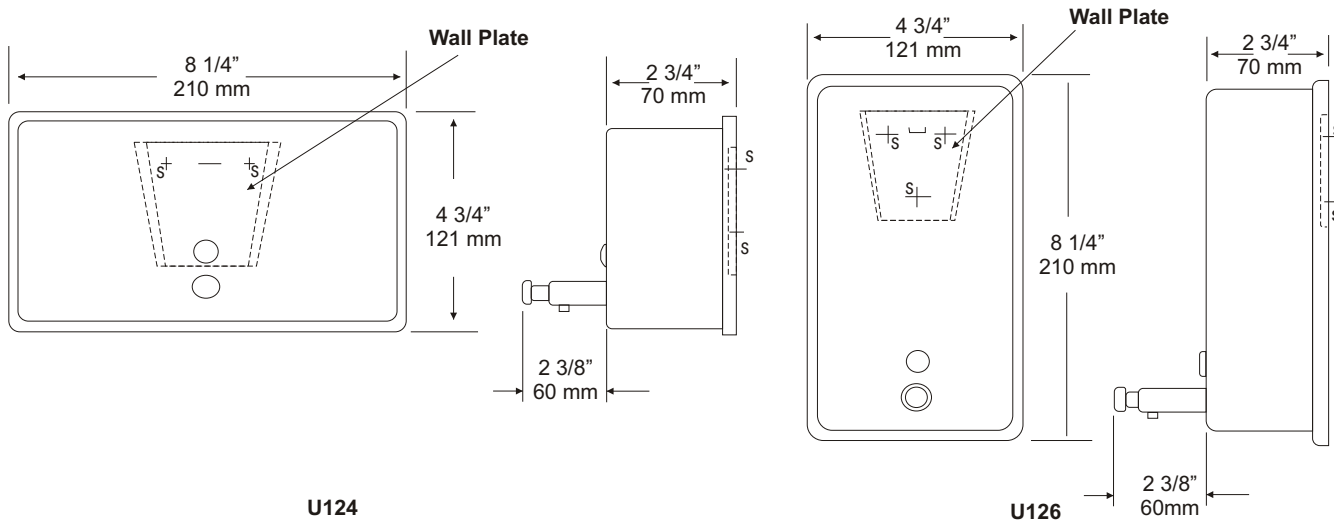
**U124, U126  
 SOAP DISPENSER  
 SURFACE MOUNTED**

JOB #:

ITEM #:

QTY:

MOUNTING	HANDING	TYPE	SIZE	OTHER



U124

U126

**SPECIFICATIONS:**

**Soap Tank:** Fabricated of type 304 #20 ga stainless steel, #4 satin finish, fully welded one-piece construction.

**Valve:** All purpose valve is fabricated of highly polished chrome on brass with stainless steel return spring that will dispense pre-measured amounts of soap per stroke. Valve operates with less than 5 lbs of force when properly serviced and operated.

**Viewer:** Clear plastic window allows a constant fluid level check.

**Concealed Mounting Plate:** fabricated of heavy gauge stainless steel.

**Filler Cap:** Fabricated of stainless steel, hinged to allow easy servicing, secured with special key that creates a vandal resistant dispenser.

**U124:** 8 1/4"W x 4 3/4"H x 5"D (wall to valve)  
 210mm x 121mm x 127mm (Horizontal mtg.)

**Capacity:** 40 oz.

**U126:** 4 3/4"W x 8 1/4"H x 5"D (wall to valve)  
 121mm x 210mm x 127mm (Vertical mtg.)

**Capacity:** 40 oz.

**Recommend type soaps without chloric solutions for proper operation.**

*Preventative Maintenance: Each dispenser should be flushed out aprx. Every 30 days with warm water to prevent valve from clogging with old soap. Do not use abrasive cleaners to clean dispenser.*

**INSTALLATION:**

Provide an area on mounting surface at desired or specified location. Secure concealed mounting plate to wall surface with proper fasteners. Slide dispenser down over mounting plate and secure by means of set screw located inside tank. Fill unit with proper soap. Close lid and secure with special key. Test valve for proper operation.

**APPLICATION:**

To provide a surface mounted, stainless steel dispenser, with all purpose valve. Unit is available in horizontal or vertical style mounting. One hand operation with less than 5 lbs. of force to activate.

Form: U124U126/2000