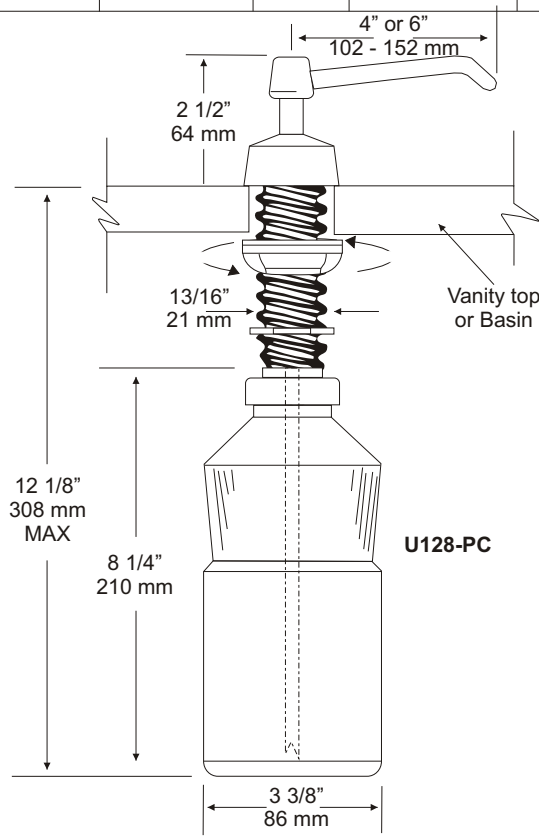


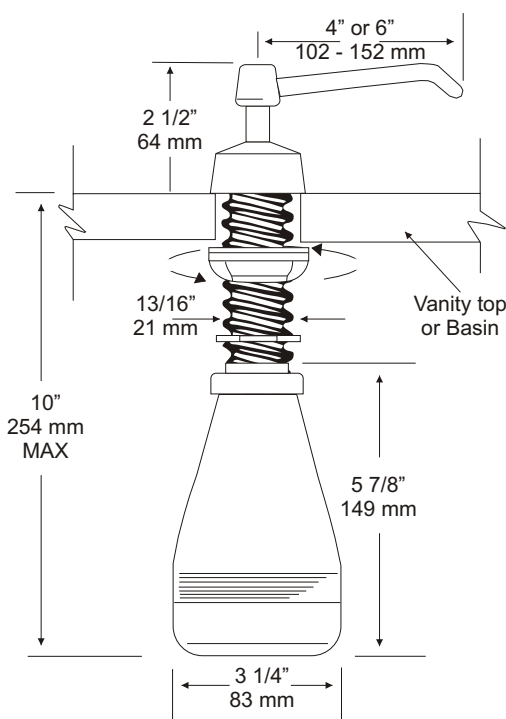
U128-PC, U129-PC
 VANITY MOUNTED
 SOAP DISPENSER

JOB #:
 ITEM #:
 QTY:

MOUNTING	HANDING	TYPE	SIZE	OTHER
----------	---------	------	------	-------



U128-PC



U129-PC

SPECIFICATIONS: **INSTALLATION:**

Piston & Spout: Highly polished corrosion resistant, type 304 stainless steel. Assembly rotates 360 degrees.
Flange & Collar: One piece highly polished chrome on brass.
Valve Assembly: All purpose bellows valve, fabricated of ABS material, with stainless steel return spring.
Shank: Chrome on brass, secured to collar. Special key provided that unlocks collar for servicing.
Globe & Collar: High impact translucent polyethylene.

Unit	Spout	Capacity	Type Finish
U128-PC	4" (102)	34 oz.	Polished s/s
U129-PC	4" (102)	16 oz.	Polished s/s
U128-PCA	6" (152)	34 oz.	Polished s/s
U129-PCA	6" (152)	16 oz.	Polished s/s

Recommend type soaps without chloric solutions for proper operation.

Preventative Maintenance: Each dispenser should be flushed out aprx. Every 30 days with warm water to prevent supply tube and spout from clogging with old soap. Do not use abrasive cleaners to clean unit.

Provide a 7/8" - 1" diameter opening in vanity or basin. Insert shank through cut out and secure with supplied washers and wing nut. Connect supply tube with valve making sure notch end is at bottom. Secure globe and collar to shank. Fill globe above counter. Secure upper assembly to shank. Prime dispenser every time unit is serviced.

Trouble Shooting: "Will not dispense soap."
 Make sure unit has soap.
 Clean globe and spout with warm water.
 Check supply tube for crimping or wrong length.
 Check notch of tube is at the bottom.
 Check valve for cracks.
 Make sure soap has been mixed properly.
 Prime the dispenser.

APPLICATION:

To provide an all purpose soap dispenser that is activated by less than 5 lbs. of force. Unit available with 34 oz. or 16 oz. capacity.

Form: U128PC/U129PC/2000