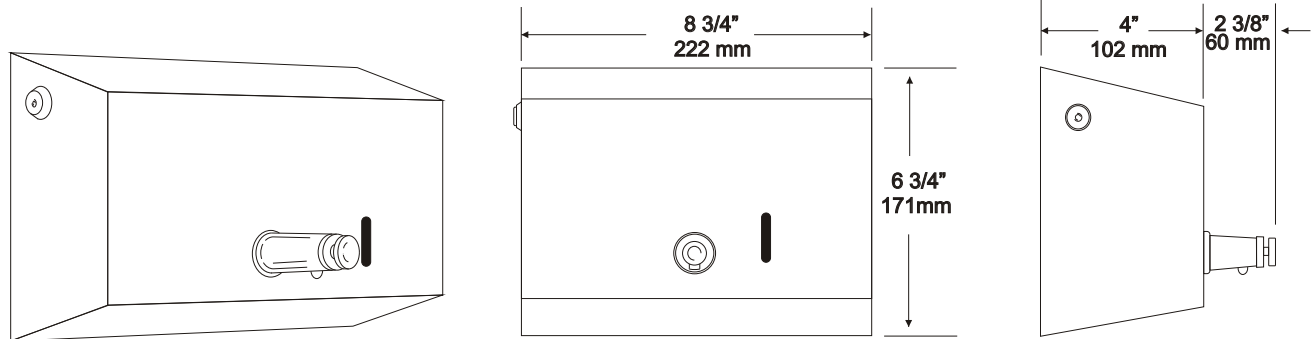


U133
SOAP DISPENSER
 SURFACE MOUNTED

JOB #:

ITEM #:

QTY:



SPECIFICATIONS:

Cover: Type 304 #20 ga stainless steel with #4 satin finish. Uni-Body design with sloped cover and refill indicator provide a heavy duty one piece cover.

Tank: Molded, translucent lexon tank, shatterproof and corrosion resistant. Large opening for easy servicing and covered sides prevent spillage.

Valve: Theft resistant chrome on brass all purpose bellows type soap valve, with chrome on brass hex nut. Neoprene seals and a stainless return spring will provide a pre-measured, drip free dispensing system. Valve cannot be removed without taking hex nut off.

Hinges: Full length, heavy duty, stainless steel piano type hinge.

Lock: Pin tumbler, commercial quality type lock is keyed like all other A & J cabinets.

Overall Size: 8 3/4"W x 6 3/4"H x 6 3/8"D
 222mm x 171mm x 161mm

Capacity: 56 fl ounces

Recommend: CP111 type soap.

INSTALLATION:

Coordinate installation with architect and contractor to avoid interference with pipes vents etc..in wall. Place unit on wall surface and make sure unit is level. Open cabinet and transfer mounting points. Drill pilot holes and secure with proper fasteners per application. Fill lexon tank with proper soap. Close cabinet and secure with key.

Soaps: All purpose low viscosity lotions and liquid synthetic detergents or oils, and vegetable based soaps should be used.

Preventative Maintenance: Each dispenser should be cleaned out aprx every 30 days with warm water to prevent sludge build up from clogging valve. Do not use abrasive cleaners when cleaning dispenser.

APPLICATION:

To provide a surface mounted all purpose soap dispenser. Ideal for high traffic public areas where recessing is not possible.

Form: U133/2000