

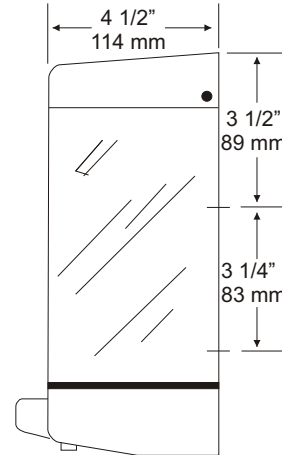
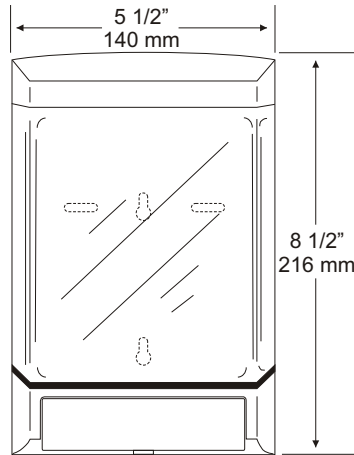
**U144
 SOAP DISPENSER**

JOB #:

ITEM #:

QTY:

MOUNTING HANDING TYPE SIZE OTHER



SPECIFICATIONS:

Tank: Fabricated of translucent high impact ABS material with a smooth curved design.

Body & Cover: Fabricated of white high impact plastic material. Hidden security locking mechanism prevents vandalism. Large convenient filler cap allows easy servicing of dispenser.

Valve: Fabricated of high impact plastic material that will dispense most liquids and lotions. (Not pumice soaps) Large push bar allows easy one hand operation that requires less than 5 lbs of force to operate. When properly mounted dispenser will comply with ADA code.

Overall Size: 5 1/2" x W x 8 1/2" H x 4 1/2" D
 140mm x 216mm x 114mm

Capacity: 46 fluid oz.

INSTALLATION:

Dispenser can be mounted on a mirrored surface by using double face tape. If mounting on wall surface, transfer mounting hole dimensions as shown on drawing. Drill pilot holes and secure unit to surface with proper fasteners. Dispensing bar cannot be any higher than 40" above finished floor to comply with ADA code.

***For best performance, use pre-mixed low concentrate solutions. Dispensers should have periodic maintenance performed to insure the life of the dispenser. Rinse out tank and valve with warm water to prevent sludge buildup.*

APPLICATION:

To provide a surface mounted soap dispenser that operates with one hand to comply with ADA code.



Form: U144/2000