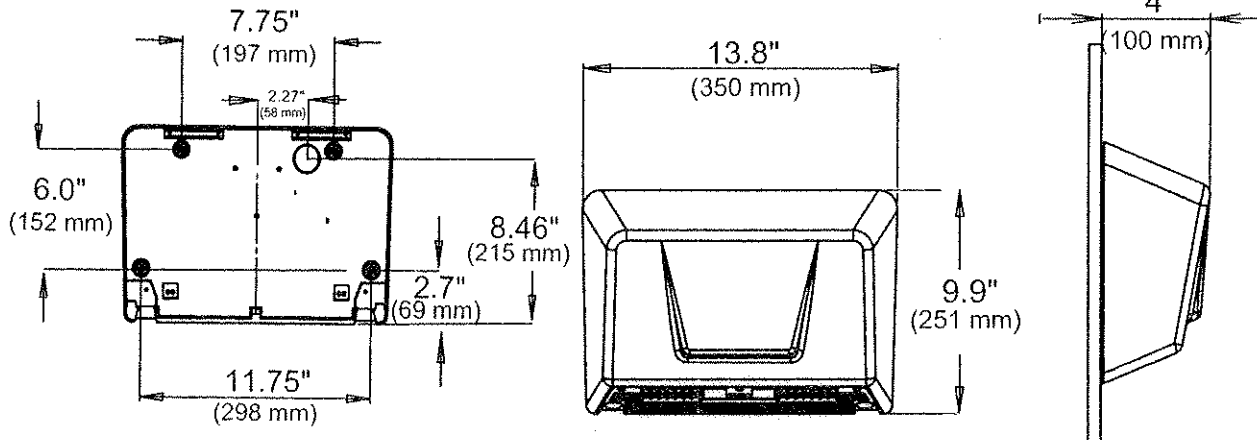


**U1511EA  
 HANDS FREE DRYER  
 ADA COMPLIANT**

JOB #:	
ITEM:	
QTY:	
PRINT DATE:	

MOUNTING	HANDING	TYPE	SIZE	OTHER



**SPECIFICATIONS:**

**Element:** Industrial strength coil wound on mica support protected by temperature limit.

**Circuitry:** Infra-red microprocessor control allows multi-voltage application.

**Assembly:** Single blower wheel and housing made of engineered thermoplastics powered by thermally protected brush motor. Assembled on a plated steel baseplate for maximum strength and durability.

**Cover and Finish:**

**U1511EA:** Powder coated (white) cast zinc alloy. Cover secured to base with theft resistant screws.

**U1511EA-SS:** Type 304 satin stainless steel

**Motor:** 7500 RPM (Brush type)

**Watts:** 1150

**Voltage:** 100VAC to 240VAC 50 or 60 cycle

**Warranty:** 2 years (Original purchaser)

**U1511EA: Surface Mounted Hands Free Dryer.**

**Overall Size:** 13.8"W x 9.9"H x 4"D  
 350mm x 251mm x 100mm

**U1511EA-SS:** Same as U1511EA

**INSTALLATION:**

Coordinate installation with architect and contractor avoid interference with pipes, vents etc... Verify mounting height for each application for code compliance. Place template on wall surface and transfer mounting points. Drill holes for securing making sure power source is not be interrupted when base is installed. Remove cover. Unit must be installed by qualified licensed electricians. Properly connect power supply and test dryer for proper operation. Install cover and secure with theft resistant fasteners and test again. (15 second delay from when power is connected to when unit is operational)

**APPLICATION:**

To provide a hands free automatic hand dryer that does not project more than 4"D. (White or stainless steel cover)

