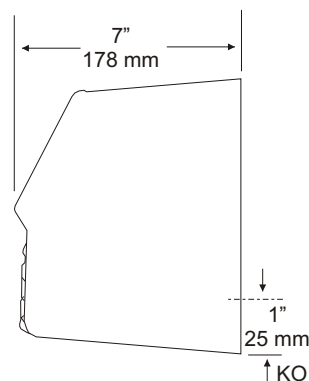
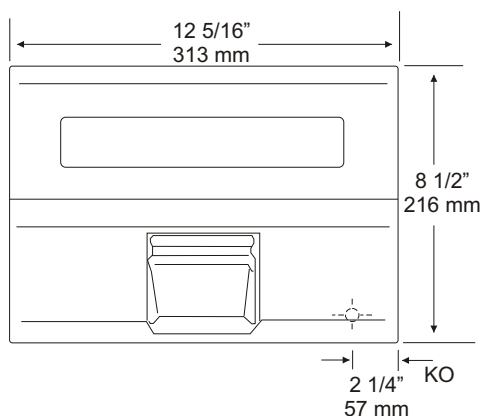


U1521EA
SURFACE MOUNTED
HAND / HAIR DRYER

JOB #:

Item:

QTY:



SPECIFICATIONS:

Motor: Brushless, 1/8 hp, 3450 RPM capacitor initiated with non-lubricating bearings and thermally protected against over heating.

Fan: Dynamically balanced to eliminate vibration & noise.

Heating Element: 2300 watt nichrome coil wound element on state of the art convective cooling system. Ambient temp produced at nozzle is 70 degrees F.(21 C) Unit is protected by an integral thermal safety circuit breaker.

Timer: Fully enclosed, non-mechanical timer, that automatically turns off when hands are moved away from path of sensor.

Electric Eye: Sensor allows a hands free operation. When sensor beam path is disturbed, dryer will automatically turn on. When hands move away from beam, dryer stops.

Cover: Fabricated of #18 ga stainless steel, #4 satin finish, spot welded to form one piece **Uni-Body** construction. Cover is secured to base with two tamper resistant fasteners. Special key provided to remove cover. All seams polished smooth.

Nozzle: Fixed chrome plated nozzle that can be changed from fixed to 2 position in the field.

Base: One piece #14 ga steel with 3/4" returns to wall surface for maximum strength and rigidity.

Unit	Volts	Amps	Cycles	Cover
U1521EA-120	110-120	18 Amps	60	S/S
U1521EA-208	208	11 Amps	60	S/S
U1521EA-230	220-230	10 Amps	60	S/S

Overall Size: 12 5/16"W x 8 1/2"H x 7"D
313mm x 216mm x 178mm

Optional Colors: -20: Beige, -21: Red, -22: Black, -23: Almond, -24: Grey, -30: White.

INSTALLATION:

Coordinate installation with contractor, architect and licensed electrician. Transfer mounting points to wall surface with supplied templates. Check all code requirements for proper mounting heights. Secure base with proper fasteners for each application. Properly connect power supply to dryer. Test dryer for operation. Secure cover to base with supplied theft resistant fasteners(2). Test dryer again after cover is secured.

JETAIR Dryers have a full five (5) year warranty to original purchaser against defective materials and workmanship. Unit must be installed by a qualified licensed electrician.

MOUNTING	HANDS	HAIR
Men	46" (1168mm)	73" (1854mm)
Women	44" (1118mm)	68" (1727mm)
Physically Impaired	38" (965mm)	46" (1168mm)
Children 6-10	34" (864mm)	43" (1092mm)
Children 11-14	42" (1067mm)	56" (1422mm)

(*Above is recommended heights from lower mounting point above finished floor)
Recommend 1 hand dryer for every 2 basins.

APPLICATION:

To provide a surface mounted, stainless steel dryer with both hand and hair drying applications. Dryer meets ADA Code when mounted properly. Provides a hands free operation.

