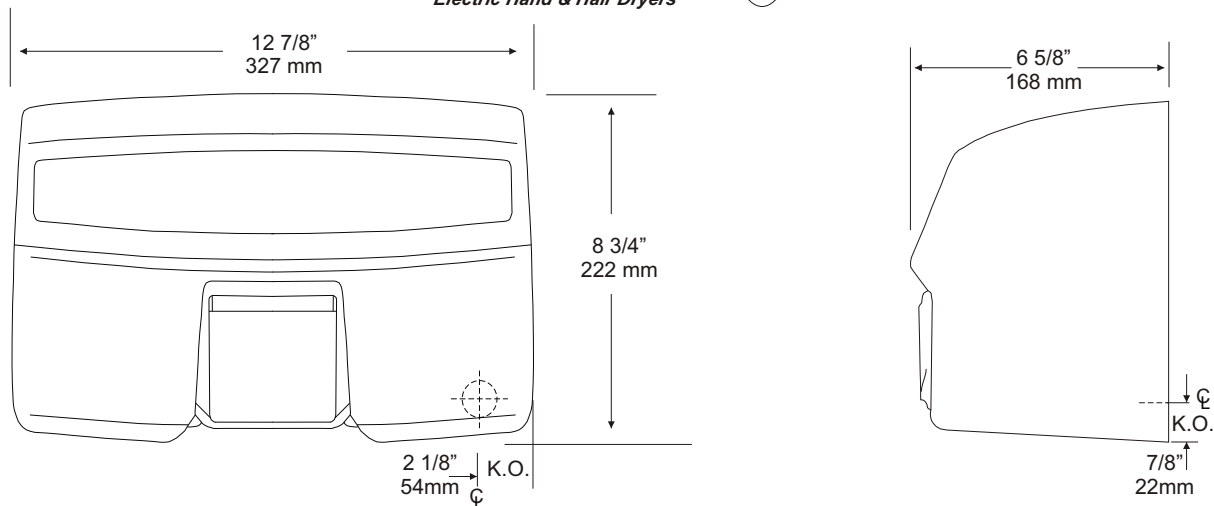


U1525EA
 SURFACE MOUNTED
 HAND / HAIR DRYER

JOB #:

Item:

QTY:



SPECIFICATIONS:

Motor: Brushless 3450 RPM, 1/8 hp motor, capacitor initiated, thermally protected against overheating.

Fan: Dynamically balanced to eliminate vibration/noise.

Heating Element: 2300 watt nichrome wire, mounted on state of the art convective heating injection system mounted to blower housing, protected by integral safety circuit breaker.

Timer: Fully enclosed electronic timer that automatically turns off when hands are moved away from path of sensor.

Electric Eye: Sensor allows a hands free operation. When sensor beam path is disturbed, dryer will automatically turn on. When hands are moved away from beam, dryer stops.

Cover: Heavy die cast aluminum with baked white enamel finish and ribbed for added strength. Secured to base with two theft resistant fasteners. Chrome plated nozzle can be fixed or two position.

Base: One piece #14 ga steel with 3/4" returns to wall for maximum strength and rigidity.

| Unit | Volts | Amps | Cycles |
|-------------|---------|------|--------|
| U1525EA-120 | 110-120 | 18 | 60 |
| U1525EA-230 | 208-230 | 10 | 60 |

Overall Size: 12 7/8"W x 8 3/4"H x 6 5/8"D
 327mm x 222mm x 168mm

Optional colors: -20: Beige, -21: Red, -22: Black, -23: Almond, -24: Grey, -CHR: Chrome.

INSTALLATION:

Coordinate installation with contractor, architect and licensed electrician. Transfer mounting points to wall surface with supplied template. Check all code requirements for proper mounting heights. Secure base to surface with proper fasteners per application. Properly connect power supply to dryer and test operation. Secure dryer to base and test dryer again after cover is secured. *Recommend 1 dryer per basin.*

JETAIR dryers have a full five (5) year warranty to original purchaser against defective materials and workmanship. Unit must be installed by a licensed electrician.

| Mounting | Hands | Hair |
|---------------------|--------------|--------------|
| Men | 46" (1168mm) | 73" (1854mm) |
| Women | 44" (1118mm) | 68" (1727mm) |
| Physically Impaired | 38" (965mm) | 46" (1168mm) |
| Children 6-10 | 34" (864mm) | 43" (1092mm) |
| Children 11-14 | 42" (1067mm) | 56" (1422mm) |

**Above are recommended mounting heights from lower mounting point above the finished floor.*

APPLICATION:

To provide a surface mounted hands free, hand/hair dryer that is UL approved and meets ADA code when mounted properly.

