

**U155  
 SOAP DISPENSER**

JOB #:

ITEM #:

QTY:

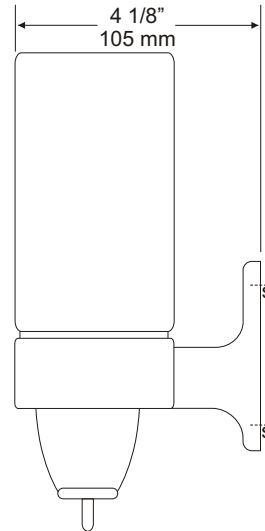
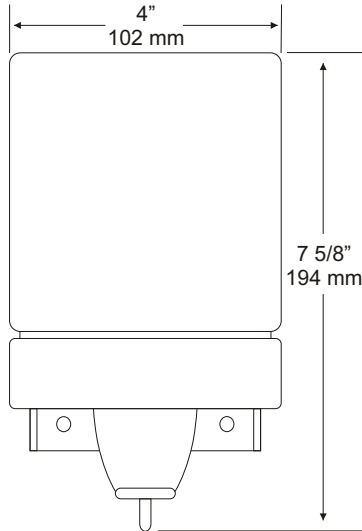
MOUNTING

HANDING

TYPE

SIZE

OTHER



**SPECIFICATIONS:**

**Globe:** Fabricated of translucent, shatterproof, corrosion resistant polyethylene with a smooth curved design.

**Valve:** Fabricated of high impact plastic, corrosion resistant ABS material with a stainless steel return spring. Dispenses pre-measured amounts of soap to prevent waste. Valve will dispense most liquids and lotions. (Not pumice soaps) Push up type valve requires less than 5 lbs of force to operate. When properly mounted dispenser will comply with ADA code.

**Mounting Bracket & Valve Cover:** Fabricated of highly polished chrome plated ABS material.

**Overall Size:** 4" x W x 7 5/8" H x 4 1/8" D  
 102mm x 194mm x 105mm

**Capacity:** 24 fluid oz.

**INSTALLATION:**

Dispenser can be mounted on a mirrored surface by using double face tape. If mounting on wall surface, transfer mounting hole dimensions as shown on drawing. Drill pilot holes and secure unit to surface with proper fasteners. Push up valve cannot be any higher than 40" above finished floor to comply with ADA code.

*\*\*For best performance, use pre-mixed low concentrate solutions. Dispensers should have periodic maintenance performed to insure the life of the dispenser. Rinse out tank and valve with warm water to prevent sludge buildup.*

**APPLICATION:**

To provide a surface mounted soap dispenser that operates with one hand to comply with ADA code.



Form: U155/2000