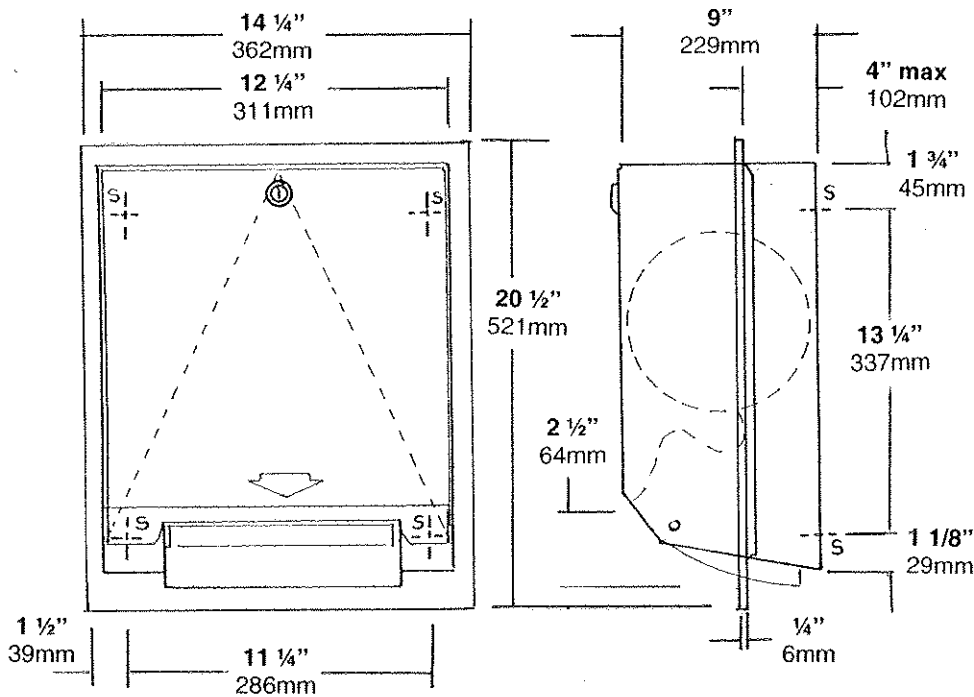


**U169A/199EA-SR**  
 Hands Free Roll Towel  
 Dispenser Semi-Recessed

JOB #:

ITEM #:

QTY:



**SPECIFICATIONS:**

**Cabinet Body / Flange:** Fabricated of type 304 #22 ga stainless steel with #4 satin finish.  
**Cabinet Door:** Type 304 #18 ga stainless steel, #4 satin finish.  
**Back:** #22 ga type 304 stainless steel, with key holes slots for mounting.  
**Roll Towel Mechanism:** Internal mechanism is fabricated of high impact plastic operated by an automatic sensor.  
**Sensor:** Operated by four (4) D cell batteries (not included) After batteries and paper has been properly installed, pass hands through sensor range to activate motor. After unit has 30 seconds to calibrate, it is ready to dispense. It takes aprx. 6 dispenses to adjust to the proper paper length, After the sensor range has been interrupted, paper will not be dispensed until the sensor range has been cleared to reset.  
**Lock:** Pin tumbler, commercial quality lock, keyed like all other A & J cabinet.

**U169A/199EA-SR:** 14 1/4"W x 20 1/2"H x 9"D  
 362mm x 521mm x 23mm  
**Wall opening:** 12 3/4"W x 17 5/8"H x 4"D  
 324mm x 449mm x 102mm  
**Capacity:** One 8" or 9" wide roll

**INSTALLATION:**

Provide an area on mounting surface at desired or specified location. Coordinate installation with architect / contractor. Provide a wall opening 12 3/4"W x 17 5/8"H and maximum depth of 4". Open cabinet door, place unit into wall opening making sure unit is level and adjustable flange is at the required depth. Top of cabinet should be no higher than 55" above finished floor to comply with ADA Code. Secure cabinet with proper fasteners for each application. Load batteries and towels in cabinet per description specifications. When unit tests good close and secure cabinet and remove key.

**APPLICATION:**

To provide a semi recessed, stainless steel, hands free, roll towel dispenser. Ideal for installation in high traffic areas. Unit comply's with ADA Code when mounted properly.

