

U169A/199AJ

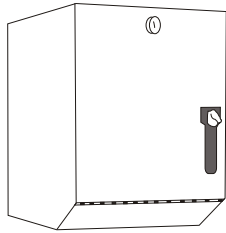
ROLL TOWEL DISPENSER

SURFACE MOUNTED

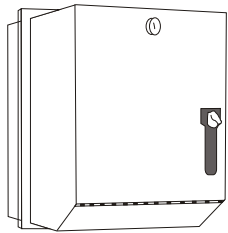
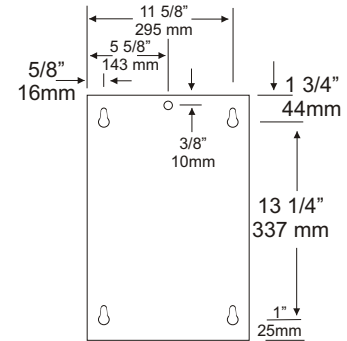
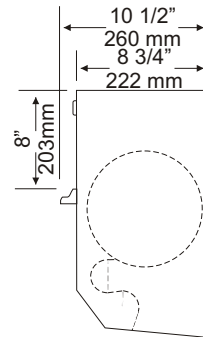
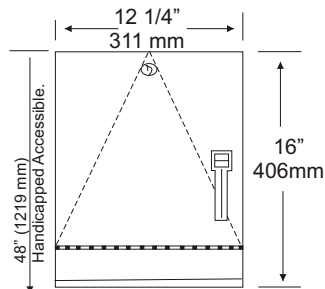
JOB #:

ITEM #:

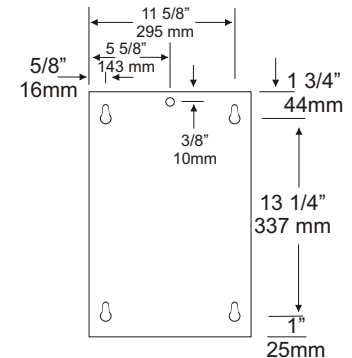
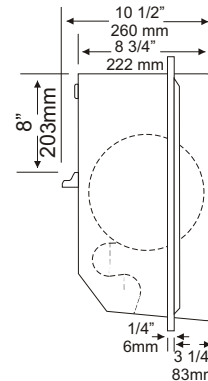
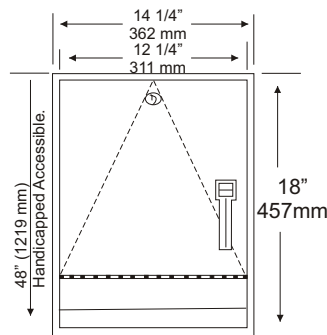
QTY:



U169/199AJ



U169/199AJ-SR



SPECIFICATIONS:

Cabinet Body: Fabricated of type 304 #22 ga stainless steel with #4 satin finish.

Cabinet Door: Type 304 #18 ga stainless steel, #4 satin finish. Lever opening has been deburred to prevent injury and allow a smooth lever operation.

Back: #22 ga type 304 stainless steel, with key holes slots for mounting.

Roll Towel Mechanism: Mechanism is operable with one hand and less than 5 lbs of force without any turning of wrist or tight grasping. Adjustments can be made to dispense three pre-set amount of paper to be dispensed per stroke.

Lock: Pin tumbler, commercial quality lock, keyed like all other A & J cabinets.

Hinge: Full length, heavy duty, stainless steel piano hinge.

Semi-Recessing Flange: (U169A/199AJ-SR) Type 304 #22 gauge stainless steel with 1/4" returns for maximum rigidity. One piece construction without miters or welds along with a #4 satin finish will match rest of cabinet.

U169A/199AJ: 12 1/4"W x 16"H x 10 1/2"D
311mm x 406mm x 267mm

Capacity: One 8" or 9" wide roll

U169A/199AJ-SR: 14 1/4"W x 18"H x 10 1/2"D
362mm x 458mm x 267mm

Wall Opening: 12 1/2"W x 16 1/2"H x 3 1/2"D
318mm x 457mm x 89mm

Capacity: One 8" or 9" wide roll

INSTALLATION:

Provide an area on mounting surface at desired or specified location. Coordinate installation with architect / contractor. Open cabinet door, place unit against wall making sure unit is level and transfer mounting points. Top of cabinet should be no higher than 48" above finished floor to comply with ADA Code. Secure cabinet to wall surface with proper fasteners for each application. Load towels in cabinet per instruction label.

For semi-recessed mounting, provide a rough wall opening 12 1/2"W x 16 1/2"H x 3 1/2"D (max).

APPLICATION:

To provide a surface mounted, stainless steel, roll towel dispenser. Ideal for installation in high traffic areas. Unit comply's with ADA Code when mounted properly.

