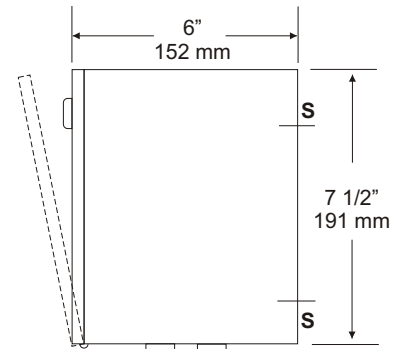
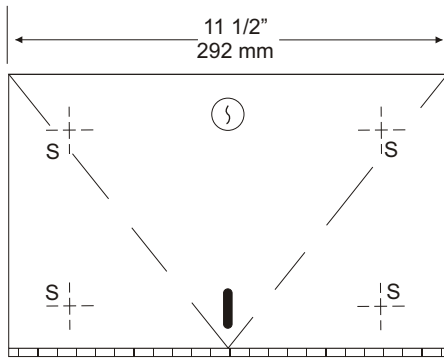


**U190  
 TOWEL DISPENSER  
 SURFACE MOUNTED**

JOB #:

ITEM #:

QTY:



**SPECIFICATIONS:**

**Cabinet Body:** Fabricated of type 304 #22 ga stainless steel with a #4 satin finish.

**Back:** Type 304 #22 ga stainless steel with multiple welds to cabinet.

**Door:** Type 304 #22 ga stainless steel with 1/4" returns for maximum rigidity. Slot in door provides a visual paper level check at all times.

**Hinges:** Full length stainless steel piano type hinge.

**Towel Dispensing Area:** Hemmed edges to prevent injury and towel tearing.

**Locks:** Pin tumbler commercial quality keyed like all other A & J cabinets.

**Overall Size:** 11 1/2"W x 7 1/2"H x 6"D  
 292mm x 191mm x 152mm

**Capacity:** 400 singlefold towels

**INSTALLATION:**

Place unit on wall surface at desired or specified location. Make sure cabinet is level and transfer mounting points. Drill pilot holes and secure with proper fasteners per application. Fill unit with singlefold towels making sure not to overfill and secure door.

**APPLICATION:**

To provide a surface mounted singlefold paper towel dispenser.



Form: U190/2000