

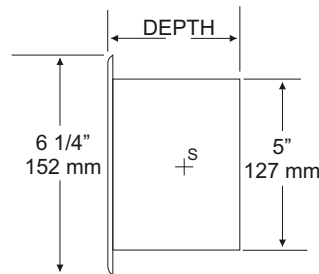
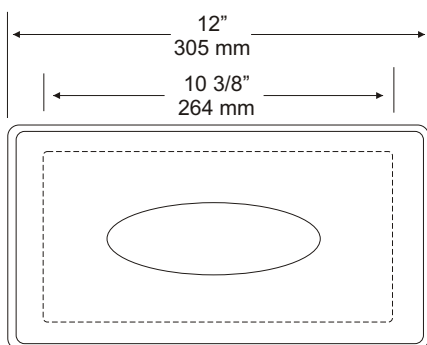


U196, U196A, SERIES FACIAL TISSUE DISPENSERS

JOB #:

ITEM #:

QTY:



SPECIFICATIONS:

Face Plate: U196,U196A: Fabricated of type 304 #22 ga stainless steel #4 satin finish.

U196-8B,U196A-8B: Fabricated of type 304 #22 ga stainless steel with #8B bright finish.

Both series face plates have flared edges and snaps firmly into wall housing. Die stamped dispensing area has hemmed edges to prevent injury and tissue tearing.

Wall Housing: One piece construction pre-plated steel.

U196/U196-8B-Rec Facial Tissue Dispenser.

Overall Size: 12"W x 6 1/4"H
305mm x 152mm

Wall Opening: 10 3/4"W x 5 1/4"H
273mm x 133mm

U196A/U196A-8B: Same as U196 & U1968B. See chart for capacity and overall depth.

Unit	Depth	W/O	Capacity
U196	4 1/8" (105)	4" (102)	250 2-Ply
U196A	2 3/8" (60)	2" (51)	100 2-Ply
U196-8B	4 1/8" (105)	4" (102)	250 2-Ply
U196A-8B	2 3/8" (60)	2" (51)	100 2-Ply

INSTALLATION:

Provide a wall opening 10 3/4"W x 5 1/4"H at desired or specified location. Coordinate installation with architect or contractor to avoid interference with pipes, vent, etc... See chart for proper wall depth required. Remove face plate and insert in wall opening. Make sure unit will be level and plumb. Secure with proper fasteners per application. Fill with proper size tissue box and snap on face plate.

APPLICATION:

To provide a recessed, stainless steel facial tissue dispenser. Ideal for installation in over night stay facilities.



Form: U196U196A2000