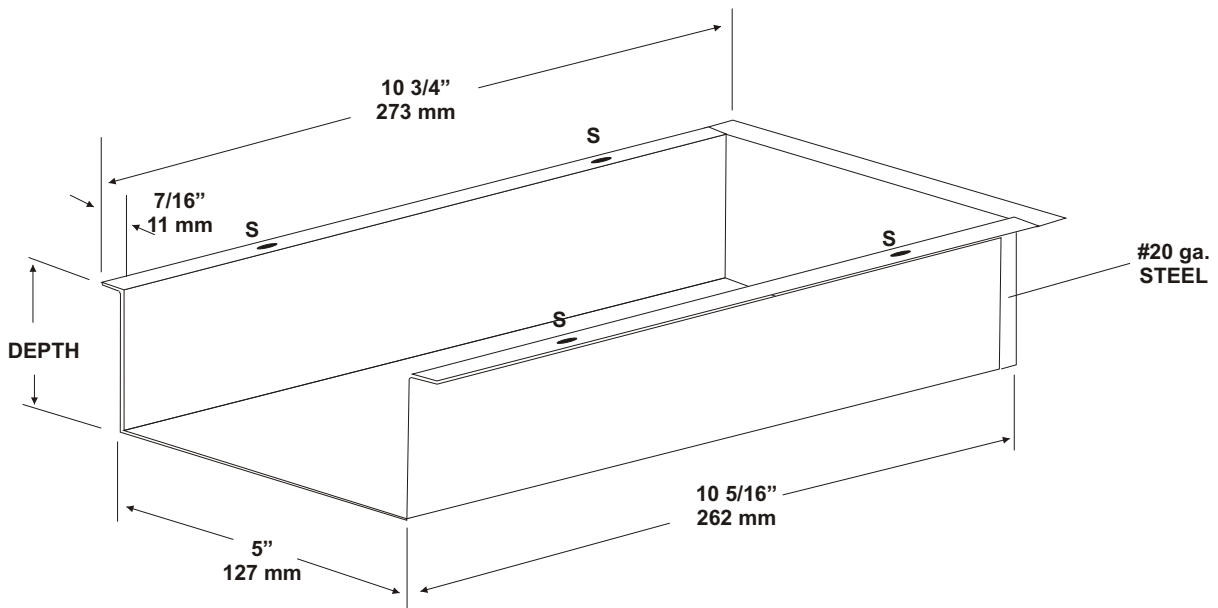


**U196BX, U196ABX**  
**FACIAL TISSUE BOX**  
 CONCEALED

JOB #:

ITEM #:

QTY:



**SPECIFICATIONS:** **INSTALLATION:**

**Box:** Box is fabricated of #20 gauge pre-plated steel. One end of the box is open to allow facial tissue box to be loaded. A 7/16" lip surrounds three sides of the box with mounting points located on two. Adapters, springs or hinges are not required to load tissue box.

**U196BX:** Facial tissue holder.

**Overall Size:** 10 3/4"W x 5"H x 4"D  
 273mm x 127mm x 102mm

**Capacity:** 250 two ply tissue box

**U196ABX:** Same as U196BX only smaller capacity.

**Overall Size:** 10 3/4"W x 5"H x 2 1/4"D  
 273mm x 127mm x 57mm

**Capacity:** 150 two ply tissue box

Box is mounted on the inside of vanity apron. Provide an area on the vanity face for a cut out to accommodate the tissue to be dispensed from the box. Make sure the box will have enough room to be mounted and allow tissue box to be loaded when needed. The vanity face becomes the face of the box holder. Make sure that all areas of cutout have been deburred to prevent injury or tissue tearing. Hold unit behind the cutout making sure unit is level and centered behind cutout. Transfer mounting points to apron and drill pilot holes making sure not to go through face. Secure with proper fasteners and load tissue box.

**APPLICATION:**

To provide a concealed facial tissue box holder mounted behind vanity face.



Form: U196BX/2000