



**U197-SF
 FACIAL TISSUE
 DISPENSER**

JOB #:

ITEM #:

QTY:

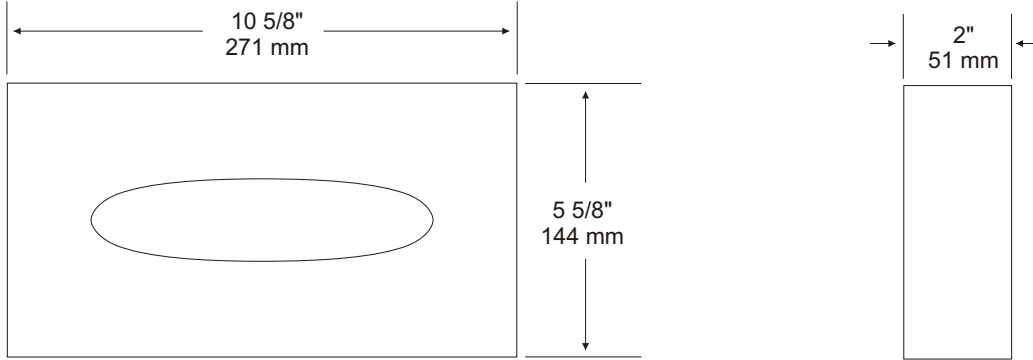
MOUNTING

HANDING

TYPE

SIZE

OTHER



SPECIFICATIONS:

Cover: Fabricated of #22 gauge stainless steel with a #4 satin finish. Embossed friction type lock keeps cover closed.

Dispensing Area: Die stamped with hemmed edges to prevent injury or tearing of tissue.

Hinges: Full length stainless steel piano type hinge secures cover to body.

U197-SF: Surface Mounted Facial Tissue Dispenser.

Overall Size: 10 5/8"W x 5 5/8"H x 2"D
 271mm x 144mm x 51mm

Capacity: One box standard size facial tissue

INSTALLATION:

Open dispenser and place unit on mounting surface at desired or specified location. Transfer mounting points to surface and drill pilot holes. Secure unit with proper fasteners per each application.

APPLICATION:

To provide a surface mounted stainless steel facial tissue dispenser.

