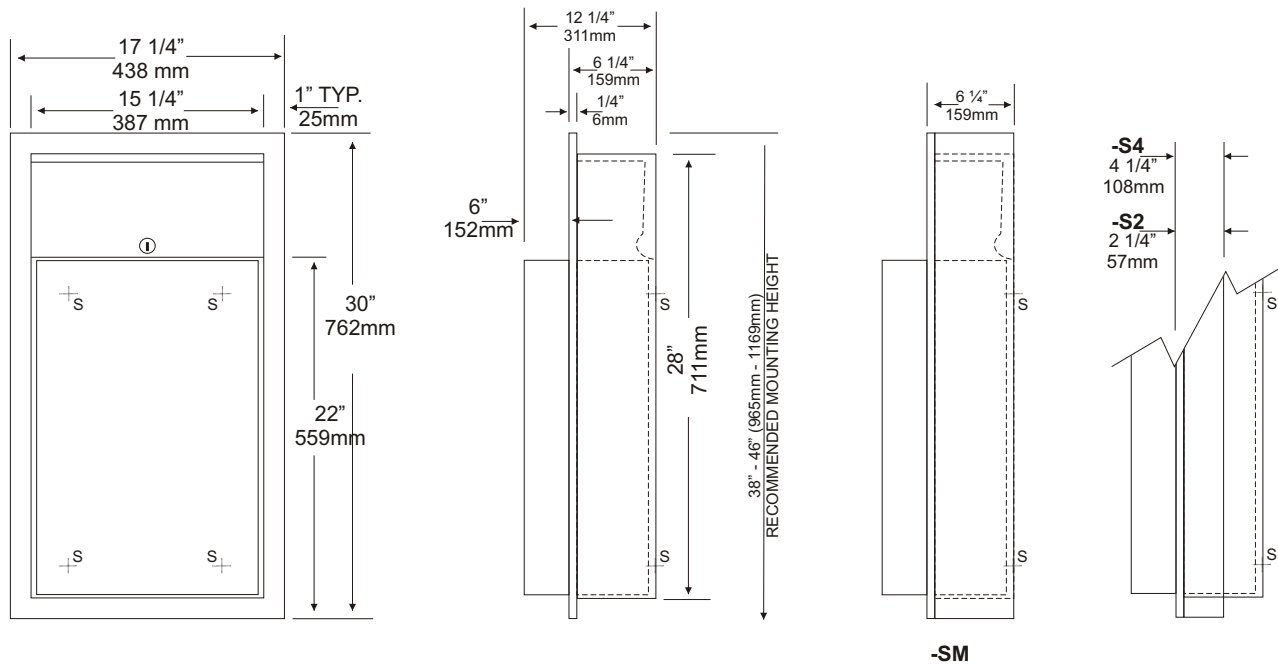


# U415 WASTE RECEPTACLE SEMI-RECESSED

JOB #:

ITEM #:

QTY:



## SPECIFICATIONS:

**Body:** Type 304 #22 ga stainless steel with #4 satin finish on all exposed areas.

**Flange:** Type 304 #22 ga stainless steel finished to match cabinet. One piece construction without miters or welds with 1/4" returns to wall surface for maximum strength.

**Back:** Type 304 stainless steel formed for rigidity with multiple welds to cabinet body to form a one-piece construction.

**Removable Waste:** Type 304 #22 ga stainless steel with #4 satin finish with hemmed edges and radius corners. Hook tabs allow liner to be installed are an integral part of waste can. Waste is secured in place by tumbler lock and bottom hanger. **(21 gallon capacity)**

**Lock:** Pin tumbler, commercial quality, keyed like all other A&J cabinets.

**Collars:** Type 304 #22 ga stainless steel, sized & finished to match cabinet. (Used for surface mounting & semi-recessing)

### U415: Recessed extended waste

**Overall Size:** 17 1/4"W x 30"H x 12 1/4"D (6" ext. waste)  
438mm x 762mm x 311mm

**Wall Opening:** 15 3/4"W x 28 1/2"H x 6"D  
400mm x 724mm x 153mm

**U415-S2:** Semi-rec 2" collar (4" wall open. 102mm)

**U415-S4:** Semi-rec 4" collar (2" wall open. 51mm)

**U415-SM:** Surface mounting collar

**Options:** -VL1: Re-usable vinyl liner  
-CV: Covered Waste

## INSTALLATION:

Coordinate installation with architect and contractor. Provide a wall opening 15 3/4"W x 28 1/2"H. Wall depth will vary if collars are required. Remove waste from cabinet and insert into opening. Secure unit with proper fasteners for each application. Make sure each unit is plumb and true. Secure unit in cabinet by locking in place by tumbler lock. Liners may be installed. (VL1 Re-usable liner)

If semi-recessed cabinets are required see specification for wall depth's.

## APPLICATION:

To provide a waste receptacle that has an extended, removable waste and is ideal for high traffic public washrooms and handicapped applications.

