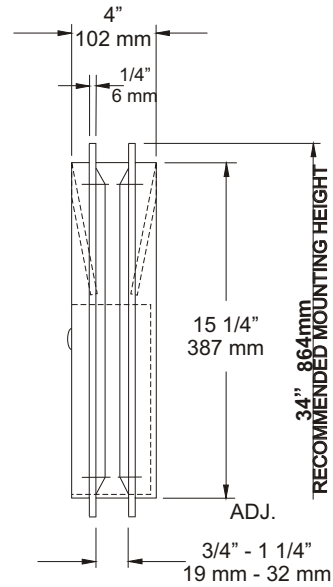
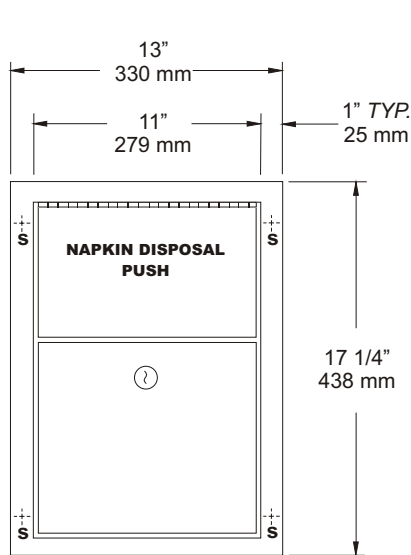


**U580  
 SANITARY NAPKIN  
 DISPOSAL PART. MTD.**

JOB #:

ITEM #:

QTY:



**SPECIFICATIONS:**

**Body:** Type 304 #22 ga stainless steel, #4 satin finish.

**Flanges:** Type 304 #22 ga stainless steel, drawn one-piece construction with 1/4" returns to wall surface. One flange is welded to body the other is adjustable to fit 3/4" - 1 1/4" thick partitions. (No miters or welds)

**Push Panels:** Type 304 #22 ga stainless steel self closing push panel door wit the words "NAPKIN DISPOSAL" embossed on door. \*International graphic symbol optional\*

**Waste:** Type 304 #22 ga stainless steel removable from one side with pin tumbler type lock securing in place.  
 \*Optional finger grip in lieu of lock\*

**Locks:** Pin tumbler locks keyed like all other A & J cabinets.

**Hinges:** Full length, heavy duty, stainless steel piano type.

**Overall Size:** 13"W x 17 1/4"H x 4"D  
 330mm x 438mm x 108mm

**Wall Opening:** 11 1/2"W x 15 3/4"H  
 292mm x 400mm

**Capacity:** 1.5 gallons

\*NDL-13-50: Waxed disposable liners. (50 per Case)  
 \*IGS: International Graphic Symbol

**INSTALLATION:**

Provide a rough partition opening 11 1/2"W x 15 3/4"H. Remove adjustable flange and place unit into opening. Secure welded flange to partition at four points making sure unit fits flush and is level. Place adjustable flange over unit and secure to partition the same way as the fixed flange. Be sure the proper fasteners are used for each application.

**APPLICATION:**

To provide a partition mounted dual stall sanitary napkin disposal that will fit partitions 3/4" - 1 1/4" thick.

