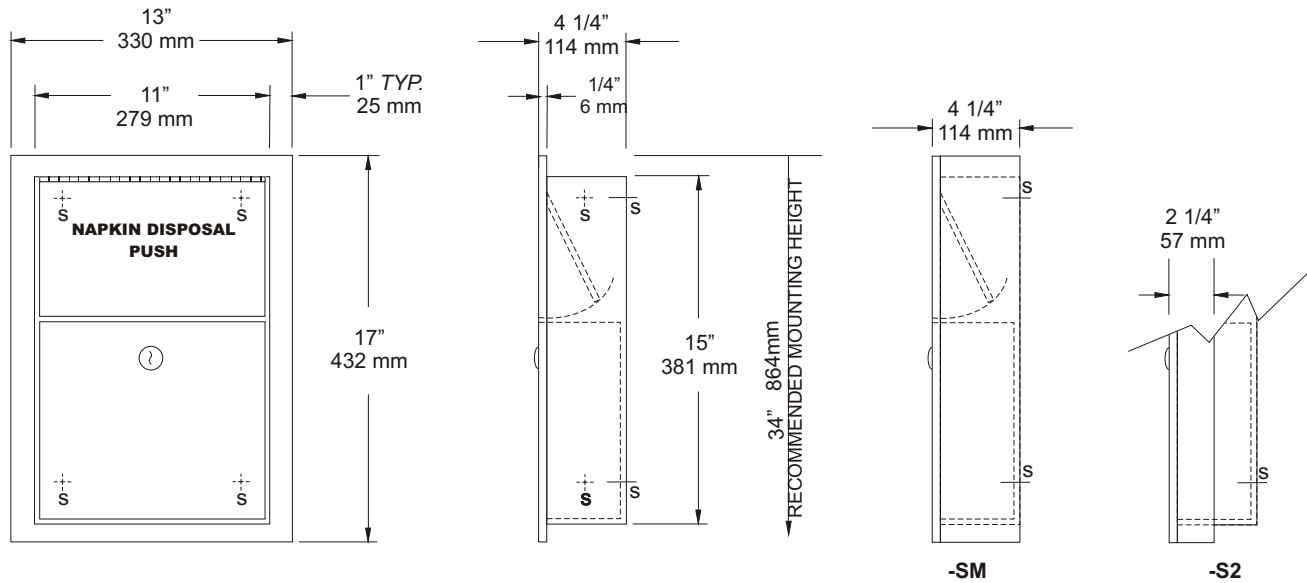


**U581
 RECESSED SANITARY
 NAPKIN DISPOSAL**

JOB #:

ITEM #:

QTY:



SPECIFICATIONS:

Body: Type 304 #22 ga stainless steel, #4 satin finish.
Flange: Type 304 #22 ga stainless steel #4 satin finish, drawn one piece construction with 1/4" returns to wall surface. (Without miters or welds)
Push Panel: Type 304 #22 ga stainless steel self closing push panel door with the words, "NAPKIN DISPOSAL" embossed. *International Graphic Symbols are optional.
Waste: Type 304 #22 ga stainless steel, removable type waste, secured by pin tumbler lock. Pin tumbler commercial quality locks, keyed like all other A & J cabinets. *(Optional finger grip in lieu of lock)
Hinges: Full length, heavy duty, stainless steel hinge.
Collars: Type 304 #22 ga stainless steel finished and sized to match cabinet.

U581: Recessed Disposal

Overall Size: 13"W x 17"H x 4 1/4"D
 330mm x 432mm x 108mm
Wall Opening: 11 1/2"W x 15 1/2"H x 4"D
 292mm x 394mm x 108mm

Capacity: 1.5 gallons

U581-S2: Semi-ReCESSED Disposal

Wall Opening: 11 1/2"W x 15 1/2"H x 2"D
 292mm x 394mm x 51mm

***NDL-13-50:** Waxed disposable liners(50 per Case)
C13174: Collar will convert recessed to surf mounted.
IGS: International Graphic Symbol

INSTALLATION:

Coordinate installation with architect or contractor to avoid interference with pipes, vents, etc..
 Provide a rough wall opening 11 1/2"W x 15 1/2"H. Verify depth for either the recessed or semi-reCESSED model. Remove waste from cabinet and secure in opening with proper fasteners for each application making sure unit is level.

APPLICATION:

To provide a recessed or semi-reCESSED napkin disposal with self closing push panel and removable waste.

