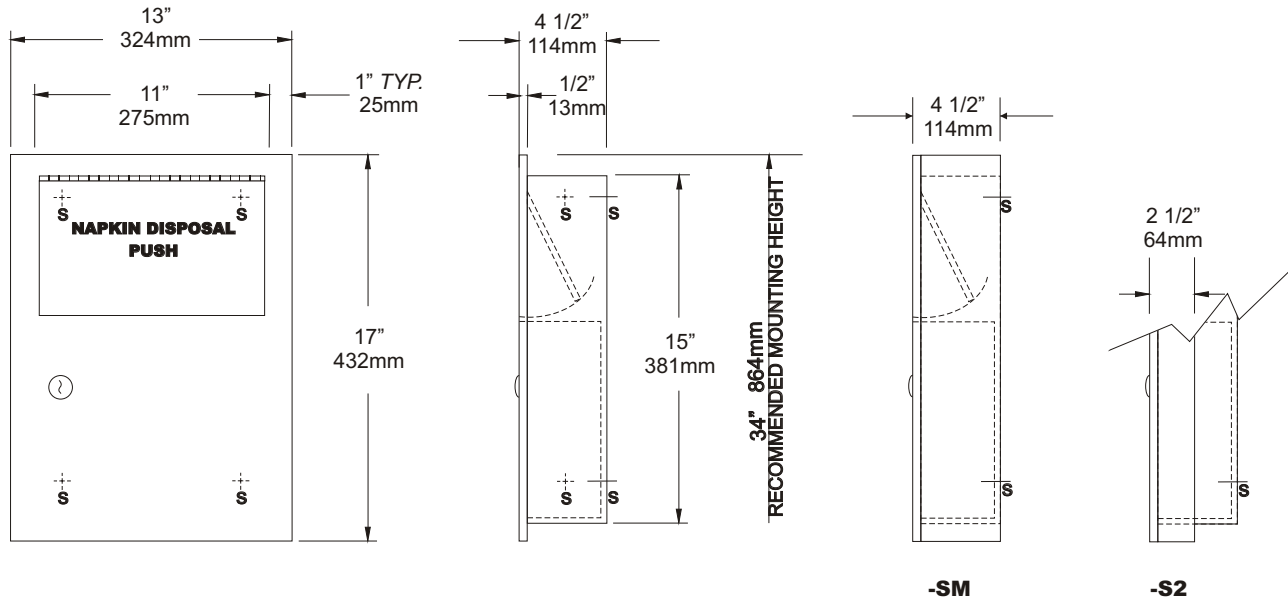


**U5814
 RECESSED SANITARY
 NAPKIN DISPOSAL**

JOB #:

Item:

QTY:



SPECIFICATIONS:

Body: Type 304 #22 ga stainless steel. Face trim is an integral part of the body with a #4 satin finish and 1/4\" returns to wall surface for rigidity.
Uni-Door: Type 304 #18 ga stainless steel with a #4 satin finish with 1/2\" returns to wall for rigidity.
Push Panel: Type 304 #22 ga stainless steel self closing push panel door with the words, "NAPKIN DISPOSAL" embossed. *International Graphic Symbols are optional.
Waste: 1.5 gallon removable waste behind door.
Locks: Pin tumbler commercial quality locks, keyed like all other A & J cabinets.
Hinges: Full length, heavy duty, stainless steel hinge.
Collars: Type 304 #22 ga stainless steel finished and sized to match cabinet.

U5814: Recessed Disposal

Overall Size: 13"W x 17"H x 4 1/2"D
 330mm x 432mm x 114mm
Wall Opening: 11 1/2"W x 15 1/2"H x 4"D
 292mm x 394mm x 108mm

Capacity: 1.5 gallons

U5814-S2: Semi-Recessed Disposal

Wall Opening: 11 1/2"W x 15 1/2"H x 2"D
 292mm x 394mm x 51mm

***NDL-13-50:** Waxed disposable liners (50 per Case)
C13174 : Collar will convert recessed to surf mounted.

INSTALLATION:

Coordinate installation with architect or contractor to avoid interference with pipes, vents, etc..
 Provide a rough wall opening 11 1/2"W x 15 1/2"H. Verify depth for either the recessed or semi-recessed model. Remove waste from cabinet and secure in opening with proper fasteners for each application making sure unit is level.

APPLICATION:

To provide a recessed or semi-recessed napkin disposal with self closing push panel and removable waste.

