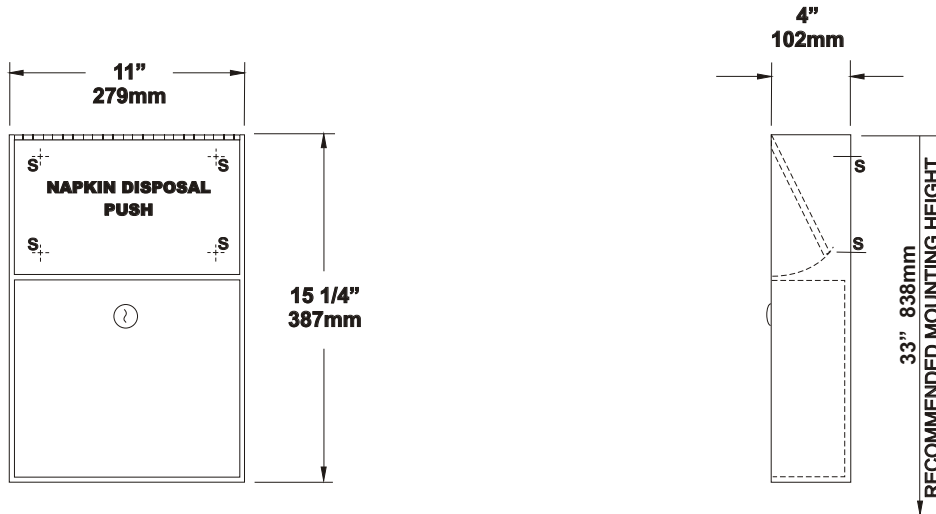


U582
SURFACE MOUNTED
NAPKIN DISPOSAL

JOB #:

ITEM #:

QTY:



SPECIFICATIONS:

Cabinet Body: Type 304 #22 ga stainless steel #4 satin finish.
Push Panel: Type 304 #22 ga stainless steel self closing push panel door with "NAPKIN DISPOSAL" embossed. International graphic symbols are optional.
Waste: Type 304 #22 ga stainless steel removable type waste secured by a pin tumbler lock. *(Optional finger grip in lieu of lock is available.)
Locks: Pin tumbler commercial quality locks keyed like all other A & J cabinets.
Hinge: Full length, heavy duty, stainless steel piano type hinge.

Overall Size: 11"W x 15 1/4"H x 4"D
 279mm x 387mm x 102mm

Capacity: 1.5 gallons
 *NDL-13-50: Waxed disposable liners. (50 per Case)
 *IGS: International Graphic Symbol

INSTALLATION:

Provide an area on wall surface at desired or specified location. Place unit on wall and verify unit is level. Transfer mounting point locations and drill pilot holes. Secure to wall surface with proper fasteners for each application.

APPLICATION:

To provide a surface mounted sanitary napkin disposal with removable waste.



Form: U582/2000