

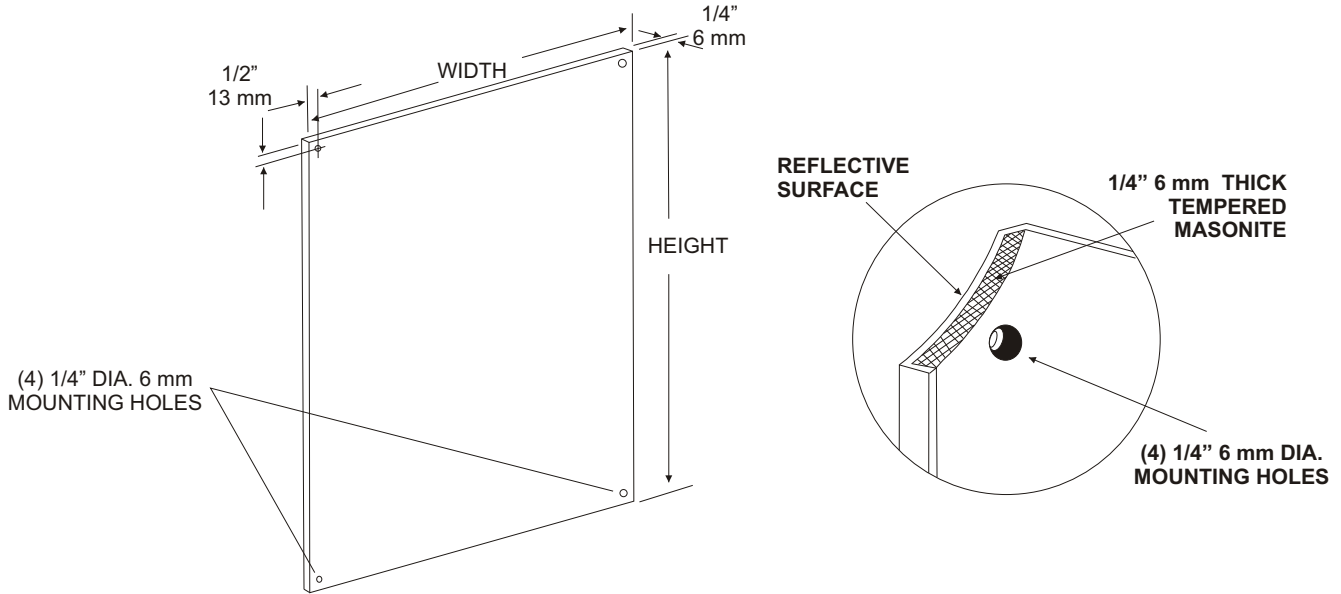
U701S, U7018B
STAINLESS STEEL
FRAMELESS MIRRORS

JOB #:

ITEM #:

QTY:

MOUNTING HANDING TYPE SIZE OTHER



SPECIFICATIONS:

Mirror: U701S: Type 430 #20 ga stainless steel with bright annealed finish.

U7018B: Type 304 #20 ga stainless steel with #8B architectural finish.

Both mirrors have 1/4" returns to wall surface for rigidity surrounding 1/4" thick tempered masonite backing. 1/4" diameter exposed mounting points are provided. Each mirror is shipped with a removable vinyl protective coating.

U701S: Recommended one piece max size 24" x 36".

U7018B: Recommended one piece max size 72" x 36".

Note: *Stainless steel mirrors reflect images in different optic quality than glass. There will be a slight distortion which increases proportionately with the mirror size. Therefore we cannot be held responsible for quality of image. The U7018B has a better reflective quality that allows larger size mirrors with less distortion.*

Cleaning: Non-abrasive and non-chloric solutions should be used to clean stainless steel mirrors.

These Mirrors are always ordered Width x Height

INSTALLATION:

Provide an area at desired or specified location and strike a line that is level. Place mirror at this line and check again with level. Transfer mounting locations to wall surface and drill pilot holes. **Peel off vinyl coating around corners only before securing to wall.** Secure mirror with proper fasteners per each application. Remove remainder of vinyl coating after mirror checks with level and is properly secured.

The bottom reflective surface edge must be mounted 40" above finished floor to comply with ADA code, 4.19.6.

APPLICATION:

Ideal for installation in areas of security and high areas of vandalism.



Form: U701S/U7018B/2000