

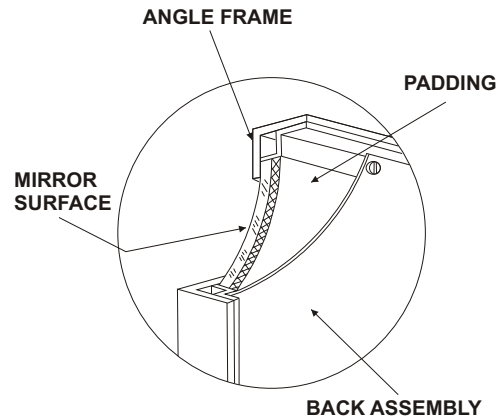
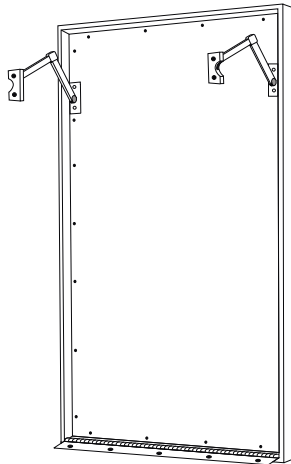
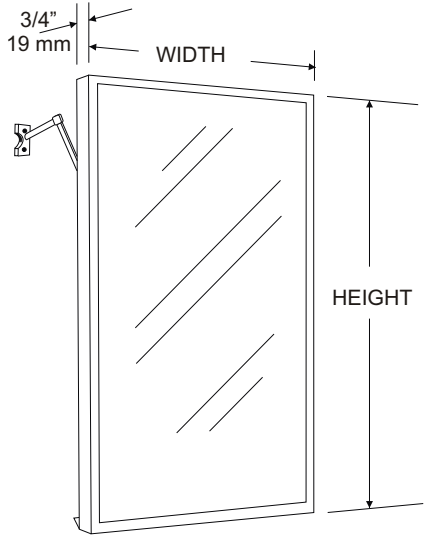
U702
ADJUSTABLE TILT ANGLE
FRAMED MIRROR

JOB #:

ITEM #:

QTY:

MOUNTING HANDING TYPE SIZE OTHER



SPECIFICATIONS:

Frame: Fabricated of type 304 #18 ga stainless steel, #4 satin finish. 3/4" x 3/4" frame with welded mitered corners are ground and polished smooth. #22 ga concealed "Z" channel is spot welded to inner perimeter of frame for reinforcement and greater rigidity.
Mirror: 1/4" polished plate glass, coated and sealed to form a uniform electrolytic copper plating, guaranteed against silver spoilage for a period of 15 years.
Filler: 3/16" thick full size, shock absorbing, water resistant, non-abrasive polyethylene padding protects all concealed mirror surfaces.
Hinge: Full length stainless steel piano type hinge mounted on the bottom of the frame.
Back: #20 ga pre-plated galvanized steel.
Adjustable Arms: mirror can be used as a flush mirror or tilt forward up to 7" from wall surface for handicapped application.

OPTIONS

VC: Safety Glass (Vinyl Clad) T: Tempered Glass
 LG: Laminated Glass S: Brite Annealed s/s
 PM: Plastic Acrylic 8B: #8 Reflective Surface

STANDARD SIZES AVAILABLE

	(W x H)	
16" x 24"	16" x 30"	18" x 24"
18" x 30"	18" x 36"	24" x 30"
	24" x 36"	

**Mirrors conform to Federal Specifications DD-M-00411b & DD-g-541D.*

Mirrors are always ordered Width x Height

Framed mirrors are fabricated to a tolerance of +/- 1/8".

INSTALLATION:

Coordinate installation with architect / contractor for specific mounting location and height for each mirror application. Check all state and local codes for installation requirements. Transfer mounting points to wall surface for bottom hinge. Drill pilot holes to secure frame to wall with proper fasteners. Hold mirror up and transfer adjustable elbow mounting points to wall. Secure with proper fasteners and adjust elbows to proper extended distance per application.

To meet ADA code mirrors bottom reflective edge must be at a height of 40" above the finished floor. Full length mirrors may be used for universal application when installed in correct locations.

Abrasive cleaners & chloric solutions should not be used on mirrors. Dis-coloring or scratching may occur on frame and reflective surface.

***** ATTENTION *****

It is the installer's responsibility to make sure the adjustable arm mechanisms are anchored properly and securely, depending on type wall conditions, being that they are the only means of top support. The manufacturer will not be liable or responsible for damages or personal injury due to improper installation.

APPLICATION:

To provide a stainless steel, adjustable tilt, angle frame mirror. Unit is ideal for installation in areas where tilt mirrors over handicapped basins are required.



Form: U702/2000