

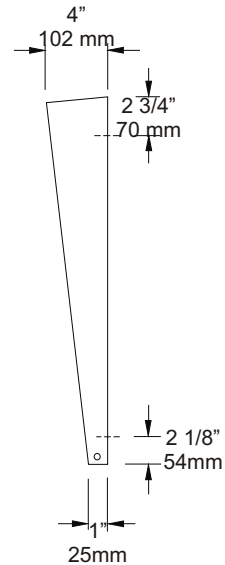
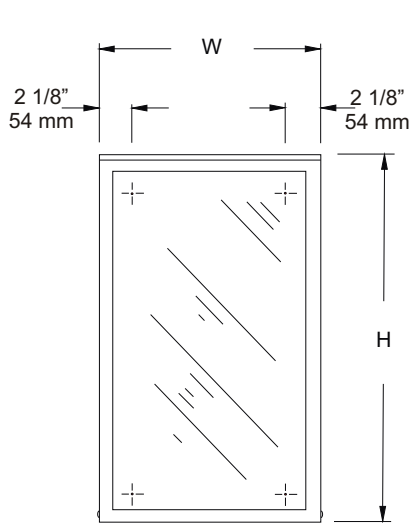
**U704
 FIXED TILT MIRROR**

JOB #:

ITEM #:

QTY:

MOUNTING HANDING TYPE SIZE OTHER



SPECIFICATIONS:

Frame: Fabricated of type 304 #18 ga stainless steel, #4 satin finish. 3/4" x 3/4" frame with welded mitered corners are ground and polished smooth. #22 ga concealed "Z" channel is spot welded to inner perimeter of frame for reinforcement and greater rigidity. Mirror extends out 4" at top and tapers to 1" at bottom.

Mirror: 1/4" polished plate glass, coated and sealed with a uniform electrolytic copper plating, guaranteed against silver spoilage for a period of 15 years.

Filler: 3/16" thick full size, shock absorbing, water resistant, non-abrasive polyethylene padding protects all concealed mirror surfaces

Back: #20 ga pre-plated galvanized steel, with 1/2" bends on side and bottom. Top of assembly will interlock with hanger bracket on frame. Back assembly is secure to frame at bottom with 2 screws.

OPTIONS

VC: Safety Glass (Vinyl Clad) T: Tempered Glass
 LG: Laminated Glass S: Brite Annealed s/s
 PM: Plastic Acrylic 8B: #8 Reflective Surface

STANDARD SIZES AVAILABLE

- 16"x24", 16"x30", 18"x24",
- 18"x24", 18"x30", 18" x36",
- 24"x30", 24"x36", 30"x36",
- 30"x42, 36"x42", 42"x36",
- 48"x36", 48"x42"

Mirrors conform to Federal Specifications DD-M-00411b & DD-g-541D.

Mirrors are always ordered Width x Height
 Framed mirrors are fabricated to a tolerance of ±1/8".

INSTALLATION:

Coordinate installation with architect / contractor for specific mounting location and height for each mirror application. Check all state and local codes for installation requirements. Remove mirror back and transfer mounting points to wall surface. Secure back with proper fasteners for each application. Slide mirror down over frame and snap in place. Secure frame to back. Fillers are available if mirrors are mounted above and below tile line. (U004 Filler) Filler material will match mirror frame to form a one piece construction.

To meet ADA Code, bottom edge of reflective surface can be no higher than 40" above finished floor. (4.19.6) Full length mirrors may be used for universal application when installed in correct locations.

Abrasive cleaners & chloric solutions should not be used on mirrors. Discoloring or scratching may occur on frame and reflective surface.

APPLICATION:

To provide a stainless steel, fixed tilt, angle frame mirror. Unit is ideal for installation in areas where tilt mirrors over handicapped basins are required.



Form: U704/2000