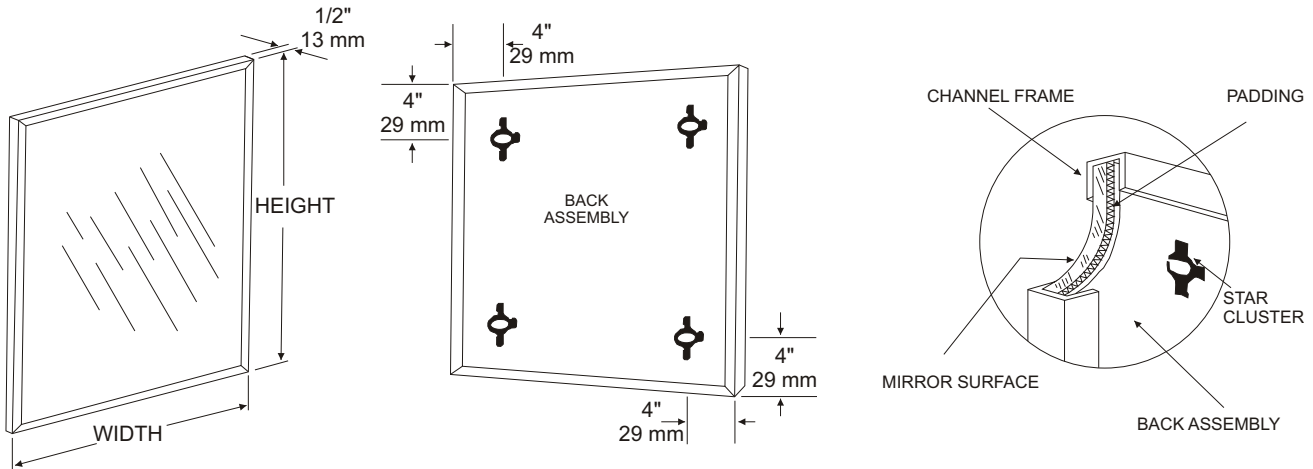


**U710
 CHANNEL
 FRAMED MIRROR**

JOB #:

QTY:

REV. DATE:



SPECIFICATIONS:

Frame: fabricated of type 304 #20 ga stainless steel, #4 satin finish. Roll formed 1/2"x 1/2"x 1/2" channel frame has mitered corners and secured with stainless steel rivet.

Mirror: 1/4" polished plate glass, coated and sealed with uniform electrolytic copper plating, guaranteed against silver spoilage for a period of 15 years.

Filler: Full size, 1/8" shock absorbing, water resistant, non-abrasive, polyethylene padding protects all concealed mirror surfaces.

Back: #20 ga pre-plated galvanized steel with star cluster mounting point (4) locations embossed on the mirror back.

*(See cut away drawing for detail)

Mirrors conform to Federal Specifications DD-M-00411b & DD-g-541D.

Options:

VC: Safety Glass (Vinyl Clad) **T:** Tempered Glass
LG: Laminated Glass **S:** Brite Annealed s/s
PM: Plastic Acrylic **8B:** #8 Reflective s/s

Note: Max size-S mirrors: 24" x 36"
 Max size-8B mirrors: 72" x 36"

These Mirrors are always ordered Width x Height

INSTALLATION:

Coordinate installation with architect and/ or contractor for specified mounting location and height for each application. Transfer all mounting points to wall surface from drawing. Use proper fasteners for each application. Slide mirror over fasteners and secure in place. Fillers are available in areas where the mirror is mounted above tile line. (U004) Filler material will match mirror frame forming a one piece construction.

To meet ADA Code, bottom edge of reflective surface can be no higher than 40" above finished floor. (4.19.6) Full length mirrors can be used for universal application when installed in proper locations.

Abrasive cleaners & chloric solutions should not be used on mirrors. Discoloring and / or scratching of frame and reflective surface may occur.

APPLICATION:

To provide a stainless steel, channel frame mirror. Ideal for installation in areas where overall size of mirrors less than 72"W are required.



Form: U710/2000