

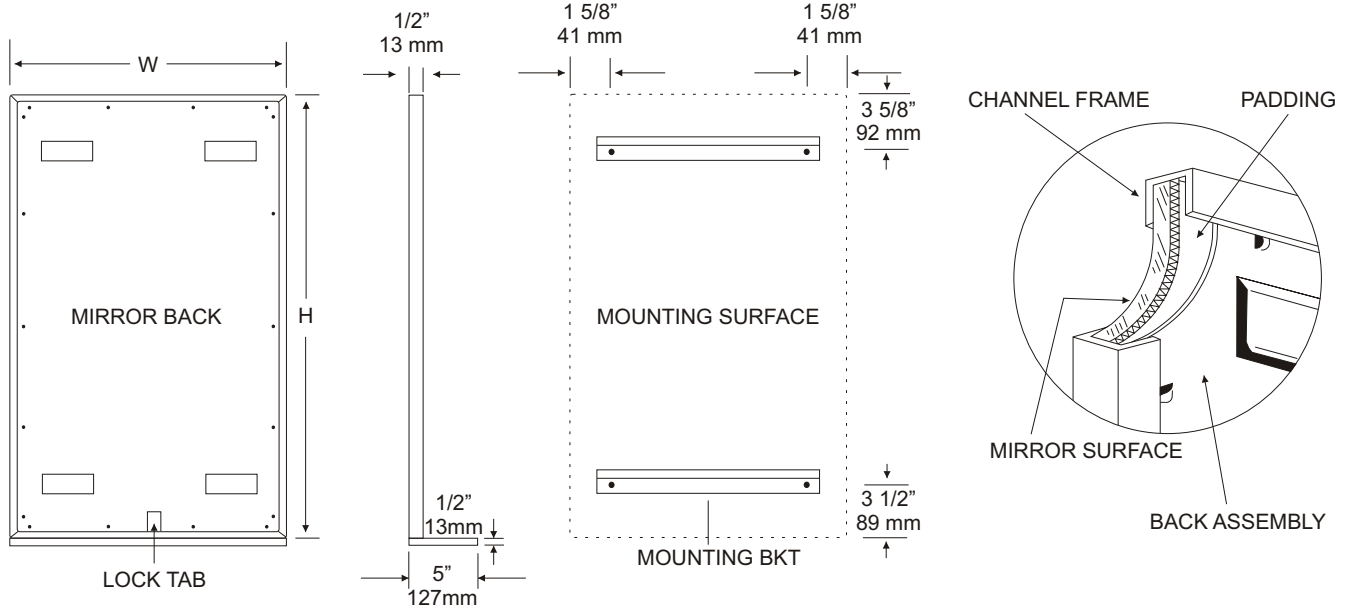
**U716
 CHANNEL FRAME MIRROR
 WITH SHELF**

JOB #:

ITEM #:

QTY:

MOUNTING HANDING TYPE SIZE OTHER



SPECIFICATIONS:

Frame: Fabricated of type 304 #20 ga stainless steel, #4 satin finish. Roll formed 1/2" x 1/2" x 1/2" channel frame has mitered corners and secured with stainless steel rivet.

Mirror: 1/4" polished plate glass, coated and sealed with uniform electrolytic copper plating, guaranteed against silver spoilage for a period of 15 years.

Filler: Full size, 1/8" shock absorbing, water resistant, non-abrasive, polyethylene padding protects all concealed mirror surfaces.

Shelf: Type 304 #18 ga stainless steel with #4 satin finish. Shelf is 5"d x full mirror width. All edges are turned down 1/2" with front turned back 1/2" for rigidity and prevents injury. #18 ga support bracket is welded to both frame and shelf then ground smooth.

Back: #20 ga pre-plated galvanized steel, with embossed horizontal louver mounting brackets. Embossed theft resistant pressure activated clip lock device, locks mirror in place to wall hangers.

Hangers: Fabricated of #20 ga pre-plated steel galvanized steel with mounting points.

Mirrors conform to Federal Specifications DD-M-00411b & DD-g-541D.

Options:

VC: Safety Glass (Vinyl clad) **T:** Tempered Glass
LG: Laminated Glass **S:** Bright Annealed s/s
PM: Plastic Acrylic **8B:** #8 Reflective s/s

*NOTE: Max size-S mirrors: 24"W x 36"H
 Max size-8B mirrors: 72"W x 36"H*

Mirrors are always ordered Width x Height

Fabricated to a tolerance of ± 1/8"

INSTALLATION:

Coordinate installation with architect / contractor for specified mounting location and height for each application. Transfer all mounting point locations to wall surface from drawing. Secure brackets with proper fasteners for each application. Slide mirror down over horizontal brackets until clip lock secures mirror in place. Mirror can only be removed by placing a tool behind mirror depressing lock clip. This will allow mirror to be raised over mounting brackets. Fillers are available in areas where the mirror is mounted above and below the tile line. (U004 filler) Filler material will match mirror frame forming a one piece construction.

To meet ADA Code, bottom edge of reflective surface can be no higher than 40" above the finished floor. (4.19.6) Full length mirror s can be used for universal application when installed in proper locations.

Abrasive cleaners & chloric solutions should not be used on mirrors. Discoloring and /or scratching of frame and reflective surface may occur.

APPLICATION:

To provide a stainless steel, theft resistant channel frame mirror / shelf. Ideal for installation in areas where overall size of mirrors is less than 72"W.

Form: U716/2000