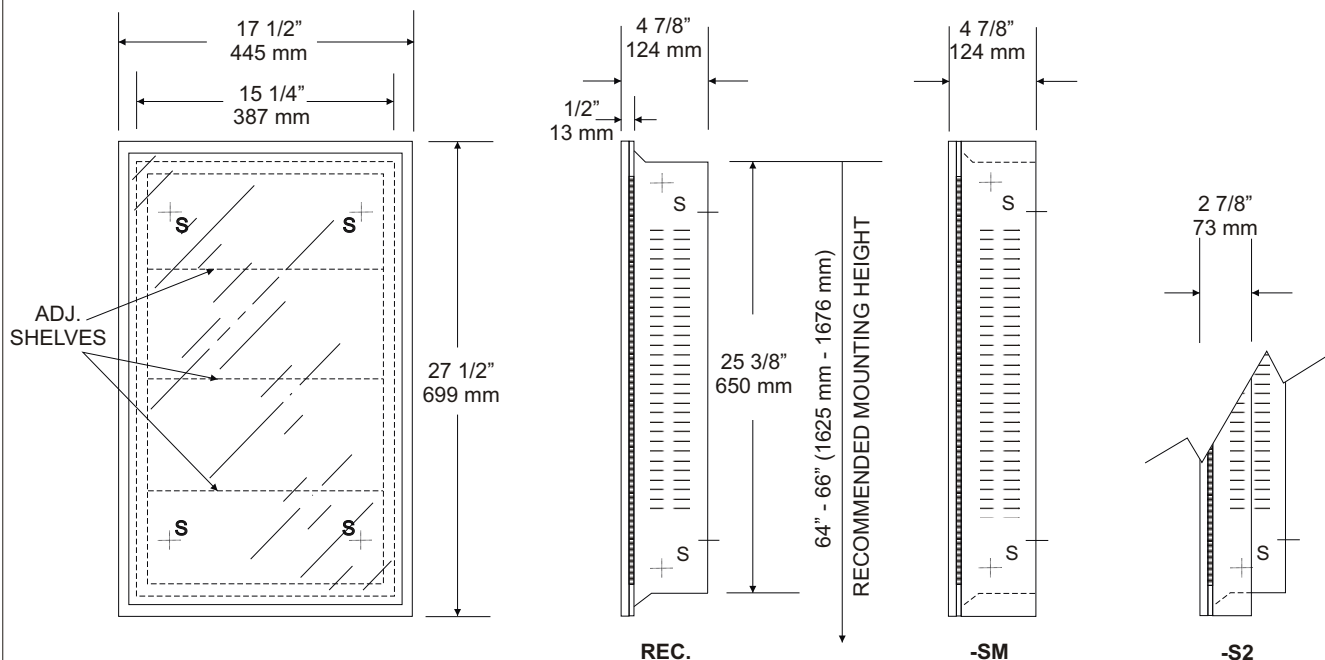


**U720  
 MEDICINE CABINET**

JOB #:

ITEM #:

QTY:



**SPECIFICATIONS:**

**Cabinet Body:** Type 304 #22 ga stainless steel formed for rigidity. Embossed louvers in body allow shelving to be adjustable. Flange surrounds cabinet body that has 1/4" returns to wall. (No miters or welds)

**Cabinet Back:** Stainless steel secured to cabinet body with multiple welds to cabinet body.

**Mirror Door:** 1/4" thick float plate glass, silver coated and sealed with a uniform coating of electrolytic copper plating. Mirror is guaranteed against silver spoilage for a period of 15 years. Non-absorbant filler behind mirror acts as a shock absorber.

**Frame:** Type 304 #22 ga stainless steel #4 satin finish.

**Shelving:** Type 304 #22 ga stainless steel with #4 satin

**Catch:** Heavy duty magnetic catch.

**Hinges:** Full length, heavy duty stainless steel piano type

**Collars:** Type 304 #22 ga stainless steel with #4 satin, one piece construction, finished to match cabinet body.

**U720: Recessed Medicine Cabinet**

**Overall Size:** 17 1/2"W x 27 1/2"H x 4 7/8"D  
 445mm x 698mm x 124mm

**Wall Opening:** 15 3/4"W x 25 7/8"H x 4"D  
 400mm x 657mm x 102mm

**U720-S2: Semi-Recessed Medicine Cabinet**

**Wall Opening:** 2" wall opening required.

**U720-SM: Full surface mounted cabinet.**

**INSTALLATION:**

Coordinate installation with architect and contractor. Provide a wall opening 15 3/4"W x 25 7/8"H. Depth will depend on style mounting. Insert cabinet into opening making sure cabinet is level and door will remain open until you manually close it. Secure cabinet with proper fasteners per application. After cabinet checks good, install adjustable shelving.

Unit can be mounted to have a right hand or left hand swing door. Collars can be added in the field to accommodate semi-recessing or full surface mounting.

To comply with ADA code, one usable shelf must be mounted no higher than 44" above finished floor. (4.2.4)

**APPLICATION:**

To provide a stainless steel medicine cabinet with adjustable shelving.

