

U73030 , U73030PE
TRI-VIEW
MEDICINE CABINETS

JOB #:

ITEM:

QTY:

PRINT DATE:

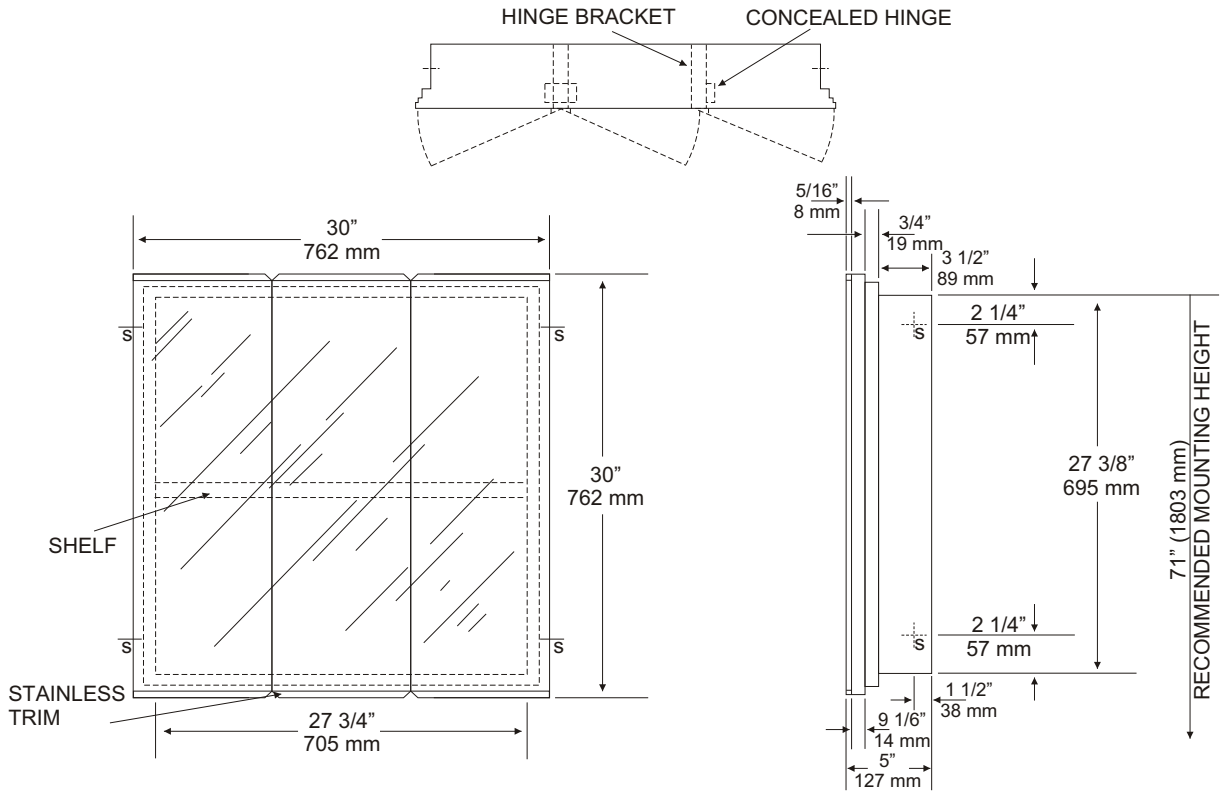
Mounting

Handing

Type

Size

Other



SPECIFICATIONS:

Cabinet Body: Fabricated of heavy duty #20 gauge prime cold rolled steel, fully welded construction, bonderized after forming and provided with a baked white enamel finish.

Doors: Tri-View doors are fabricated of 3/16" thick plate glass, silver coated and sealed with electrolytic copper plating. Rubber door bumpers are provided to protect mirror door from shattering if door is slammed.

Trim: (U73030) Top and bottom edges of mirror doors are equipped with a stainless steel trim.

Hinges: Doors are equipped are attached to body wit European style hinges at top and bottom.

Shelf: fixed shelf is fabricated of #20 gauge prime cold rolled steel.

U73030: Recessed Tri-View Medicine Cabinet.

Overall Size: 30"W x 30"H x 5"D
 762mm x 762mm x 16mm

Wall Opening: 28"W x 27 5/7"H x 3 5/8"D
 711mm x 703mm x 93mm

U73030PE: Same U73030 without the trim edges, only pencil edges.

INSTALLATION:

Coordinate installation with architect or contractor to avoid interference with pipes, vents, etc... Provide a wall opening 28"W x 27 5/8"H x 3 5/8"D. Open cabinet doors and place unit into wall opening. Secure unit to framing with proper fasteners per application.

APPLICATION:

To provide a recessed tri-view medicine cabinet.

