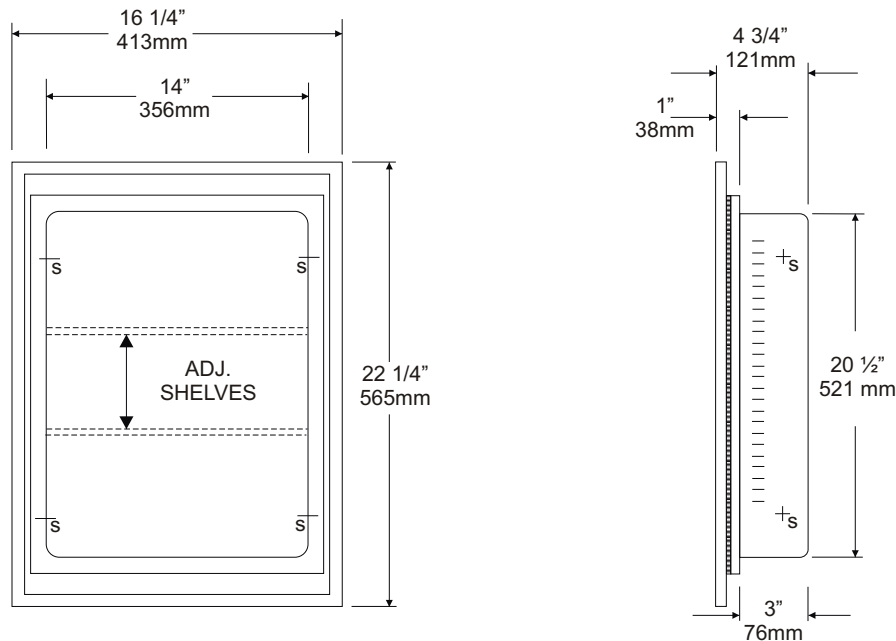


U730-1622 MEDICINE CABINET

JOB #:

ITEM #:

QTY:



SPECIFICATIONS:

Body: Fabricated of one piece deep drawn steel construction, oven baked enamel finish. Integral louvers to accommodate adjustable shelves.

Mirror Door: 3/16" float plate glass, silver coated and sealed electrolytic cooper plating. Door is secured by means of a magnetic catch.

Frame: Bright finish stainless steel frame.

Hinges: Heavy duty piano type hinges.

Shelving: Steel construction to match cabinet body with 3/8" returns with all edges deburred to prevent injury.

U730-1622: Recessed Medicine Cabinet

Overall Size: 16 1/4"W x 22 1/4"H x 4 3/4"D

413mm x 565mm x 121mm

Wall Opening: 14"W x 20"H x 3"D

356mm x 508mm x 76mm

Shelving: 2 adjustable

U730-1622SM: Surface Mtd Medicine Cabinet

Overall Size: 16 1/4"W x 22 1/4"H x 4 3/4"D

413mm x 565mm x 121mm

INSTALLATION:

Coordinate installation with architect and or contractor. Provide a wall opening 14"W x 20"H x 3"D that will allow cabinet to swing left or right without any interference. Place unit in wall opening, making sure unit is level. Place SM cabinet to wall surface making sure cabinet is level. Transfer mounting points and drill pilot holes. Secure unit with proper fasteners per application.

Cabinet can be mounted to have a left hand or right hand swing door.

To meet ADA code, a usable shelf on cabinet cannot be any higher than 44" (1120mm) above the finished floor. (4.2.4)

APPLICATION:

To provide a recessed or surface mounted white enamel steel medicine cabinet that has adjustable shelves.

