

**U803 , U804
 TOILET TISSUE
 HOLDER**

JOB #:

ITEM #:

QTY:

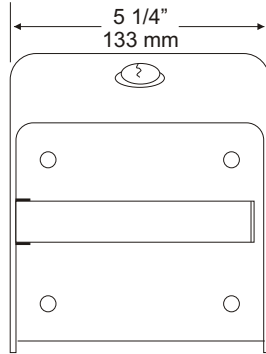
MOUNTING

HANDING

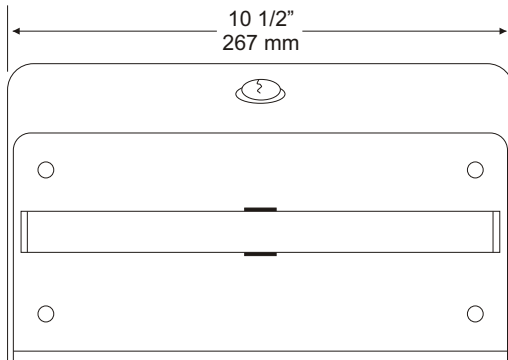
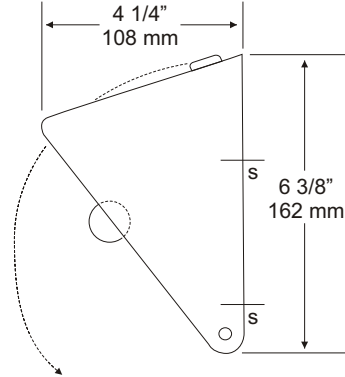
TYPE

SIZE

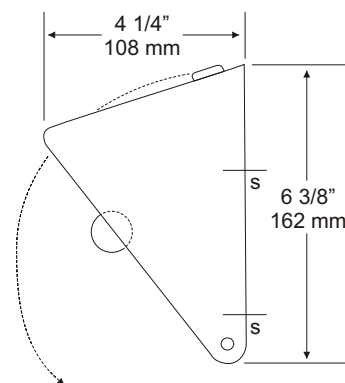
OTHER



U803



U804



SPECIFICATIONS:

Hood: Fabricated of type 304 stainless steel with a #4 satin finish on all exposed surfaces. Radius corners and leading edges are deburred. Keyed hood provides a theft resistant dispenser. Roll cannot be removed without opening dispenser.

Back Plate: fabricated of type 304 #22 gauge stainless steel.

Roller: Stainless steel roller is welded to a stainless steel post that has a capped end to prevent damage to roll.

Locks: commercial quality pin tumbler lock keyed like all other A&J accessories. **Optional: TK:** Keyless twist lock.

U803: Surface Mounted Hooded Single Roll Dispenser.

Overall Size: 5 1/4"W x 6 3/8"H x 4 1/4"D
 133mm x 161mm x 108mm

Capacity: One standard roll, maximum 5 1/4" OD

U804: Surface Mounted Hooded Dual Roll Dispenser.

Overall Size: 10 1/2"W x 6 3/8"H x 4 1/4"D
 267mm x 161mm x 108mm

Capacity: Two standard roll, maximum 5 1/4" OD

INSTALLATION:

Open hood of dispenser and place unit on mounting surface at desired or specified location. Making sure unit is level transfer mounting points to surface using unit as a template. Drill pilot holes and secure unit with proper fasteners per application. Install roll of toilet tissue and secure cover.

APPLICATION:

To provide a surface mounted single or dual roll toilet hooded tissue dispenser that is theft resistant.



Form: U803U804/2000