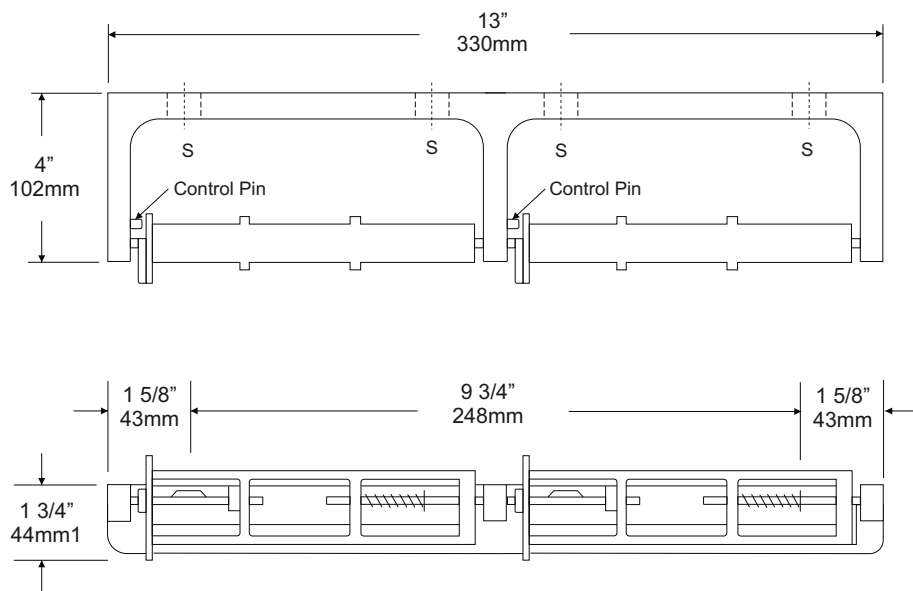


U806, U806-NC
 SURFACE MOUNTED
 TOILET TISSUE DISPENSER

JOB #:

Item:

QTY:



SPECIFICATIONS:

Mounting Bracket: Fabricated of heavy duty, die cast aluminum alloy, satin matte finish. One piece formed construction provides maximum strength and rigidity.

Spindles: Molded high impact ABS material (*theft resistant*) with stainless steel spring, designed to retain spindles on bracket. Spring loaded pin prevents roll from being removed until roll is depleted. Spindle rotates only 1/2 revolution.

Control Pin: Stainless steel pin provides dispenser a control delivery. On the **-NC** units (non-control) the pin is removed. This can be removed at the factory or in the field.

U806: Dual roll control delivery.

U806-NC: Dual roll non-control delivery.

Overall Size: 13"W x 1 3/4"H x 4"D
 330mm x 45mm x 102mm

Capacity: Two standard size single ply roll, up to 2000 sheets maximum.

Recommend: Type CP801,CP802,CP807,CP808 or Cp809 toilet tissue.

INSTALLATION:

Provide an area on wall surface at desired or specified location. Place unit on mounting surface making sure unit is level and transfer mount points. Drill pilot holes and secure with proper fasteners per application. If a controlled delivery dispenser is installed, remove spring loaded pin to obtain a non-controlled delivery.

All dispensers must have a non-control delivery, be mounted at the proper height and location to meet ADA code. (4.16)

APPLICATION:

To provide a dual roll toilet tissue dispenser with the option of control or non-control delivery.



Form: U806/2000