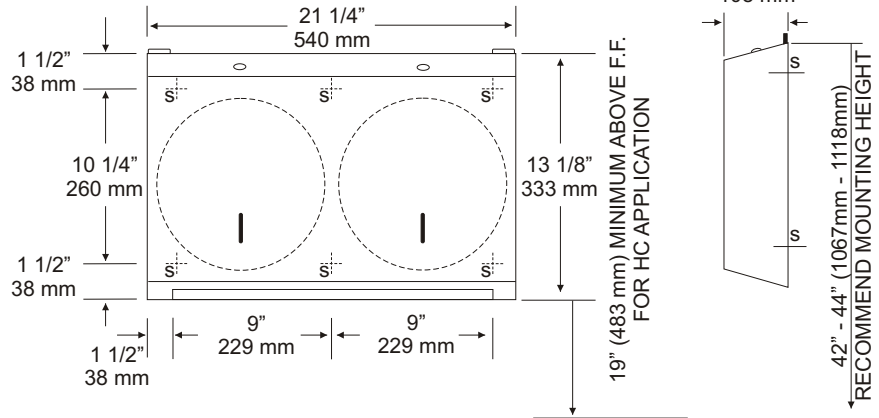
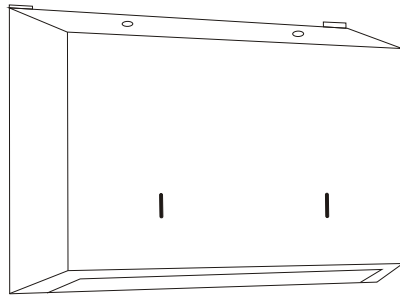


**U832A
 JUMBO ROLL TOILET
 TISSUE DISPENSER**

JOB #:

Item:

QTY:



SPECIFICATIONS:

Body: Type 304 #18 ga stainless steel with a #4 satin finish, with one piece Uni-body construction. Sloping hood prevents articles such as cigarettes on top of unit that may cause a fire. Body equipped with refill viewer.

Cabinet Back: Type 304 #22 ga stainless steel formed for rigidity. One piece back is equipped with striker tabs.

Tissue Guide: Type 304 #22 ga stainless steel hemmed and deburred to prevent injury and tissue tearing.

Spindles: Unit is equipped with a solid white ABS spindle and a capped stainless steel 1 1/4" diameter spindle. Unit will hold two 9" diameter rolls with a core diameter of 1 3/8" - 3 1/4". (Non-control delivery)

Hinges: Heavy duty, stainless steel piano type hinge.

Locks: Pin tumbler, commercial quality keyed like all other A&J cabinets.

U832: Surface Mounted Dual dispenser

Overall Size: 21 1/4"W x 13 1/8"H x 4 1/4"D
 540mm x 333mm x 108mm

Capacity: Two 10" dia. rolls (Recm. CP803 & Cp805)

***NOTE:** 10" dia. roll is equal to 6 standard rolls.

INSTALLATION:

Provide an area on wall at desired or specified location. Unlock cabinet and place unit on wall making sure cabinet is level. Transfer mounting points to surface and drill pilot holes. Secure unit with proper fasteners per application. Load toilet tissue on spindles and close cabinet.

Toilet Paper Dispensers: All dispensers that are to meet ADA code cannot have any type of controlled delivery. (4.16)

APPLICATION:

To provide a surface mounted dual jumbo roll toilet tissue dispenser. This will reduce the time of refilling the dispensers. When mounted properly, unit will meet ADA code.



Form: U832A/2004