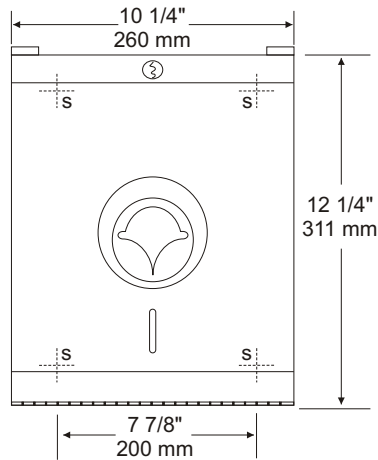


## U835, U835-12 CENTER PULL TOILET TISSUE DISPENSER

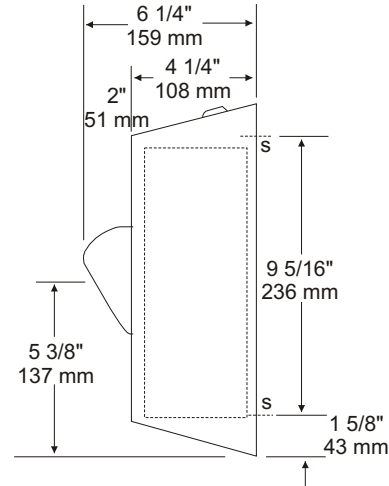
JOB #:

Item:

QTY:



**U835**



### SPECIFICATIONS:

**Toilet Tissue:** Toilet tissue required for the dispensers is a "Coreless" design. When the roll is initially installed there is a core that acts as a starter strip that is removed to start the flow of tissue. The roll is dispensed from the center out, not the conventional way, outside into the core. The tissue is dispensed through the cover opening.

**Body:** Type 304 #22 ga stainless steel with #4 satin finish. Uni-body design, one piece construction with sloped hood.

**Internal Cover:** Fabricated of translucent ABS material with a patented tissue guide that allows the tissue to be pulled from the face of the dispenser and torn without the need of any serrated edges.

**Back:** Type #20 ga stainless steel with striker tabs.

**Hinges:** Full length, stainless steel piano type hinge.

**Locks:** Pin tumbler locks keyed like all A & J cabinets.

**Support Tabs:** Tabs are mounted inside cabinet that support roll from collapsing.

**U835:** Surface mounted 9" diameter dispenser.

**Overall Size:** 10 1/4"W x 12 1/4"H x 6 1/4"D  
260mm x 311mm x 165mm

**U835-12:** Surface mounted 12" diameter dispenser.

**Overall Size:** 14"W x 15 3/4"H x 6 1/4"D  
356mm x 400mm x 165mm

**Paper Model number:**

**CP811:** 9" diameter rolls

**CP812:** 12" diameter rolls

### INSTALLATION:

Provide an area on wall surface at desired or specified location. Open cabinet and hold unit to surface and transfer mounting points. Drill pilot holes and secure with proper fasteners per application. Install tabs in body in the designated areas. Remove core (starter strip) and place in body. Pull paper through cover tissue guide and secure cover.

Toilet tissue dispenser cannot have any type of controlled delivery to comply with ADA code. (4.16)

### APPLICATION:

To provide a stainless steel surface mounted centerpull toilet tissue dispenser with non-control delivery that comply's with ADA code.



Form: U835/2000