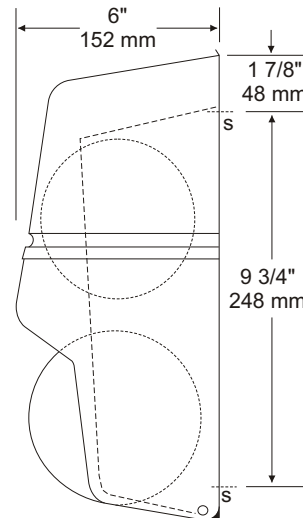
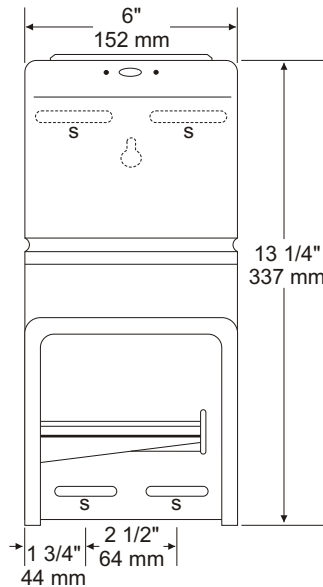


**U845, U845W
 DUAL TOILET TISSUE
 HOODED DISPENSER**

JOB #:

Item:

QTY:



SPECIFICATIONS:

Cover: U845: Fabricated of high impact translucent ABS material with a sloped top.

U845W: Same as U845 with a white cover in lieu of translucent cover. Sloped hood prevents objects from being placed. (Objects will roll off)

Back: Heavy ga steel back with full width striker tab, one piece construction formed for rigidity.

Spindle Track: Integral part of the body that allows a smooth transfer of the top roll when the bottom roll has been depleted. When the cover is closed, the unit has a theft resistant design without the need for special adapters or rollers.

Spindle: Non-control delivery, with molded spindles of ABS material that cannot be removed from cabinet.

Lock: Keyed double latch type lock mechanism keeps hood secured to base.

Overall Size: 6"W x 13 1/4"H x 6"D
 152mm x 337mm x 152mm

Capacity: Two standard size rolls. *(Recommend 1500 single ply roll tissue)

INSTALLATION:

Coordinate installation with architect or contractor. Place unit on wall surface making sure unit is level. Transfer mounting points and drill pilot holes. Secure cabinet with proper fasteners per application. Place full roll on top spindle, raise to top position and pull lower roll forward to hold top roll in place. Load full roll on to lower spindle.

**(For best operation, always use full rolls when loading dispenser.)* Secure hood and test roll for dispensing.

All dispensers that are to meet ADA code cannot have any type of controlled delivery. (4.16)

APPLICATION:

To provide a surface mounted, hooded, dual roll dispenser without control delivery.



Form: U845/2000