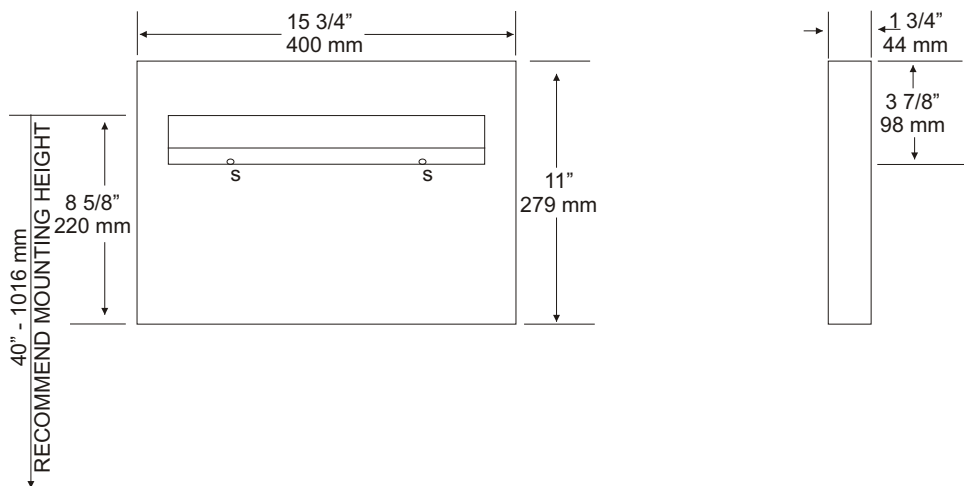


**U851**  
**SEAT COVER DISPENSER**  
 SURFACE MOUNTED

JOB #
QTY
REV. DATE



**SPECIFICATIONS:** **INSTALLATION:**

**Overall Size:** 17 1/4"W x 12 3/4"H x 2 5/8"D  
 438mm x 324mm x 68mm  
**Wall Opening:** 15 3/4"W x 11 1/4"H x 2 3/8"D  
 400mm x 286mm x 60mm  
**Capacity:** 500 singlefold or half fold covers

*Recommend CP810 seat covers (250 covers per pack)*

Place unit on wall surface at desired or specified location making sure unit is level. Transfer mounting point locations and drill pilot holes for mounting. Secure unit to surface with proper fasteners per application.

**APPLICATION:**

To provide a surface mounted stainless steel toilet seat cover dispenser.



Form: U851/2000