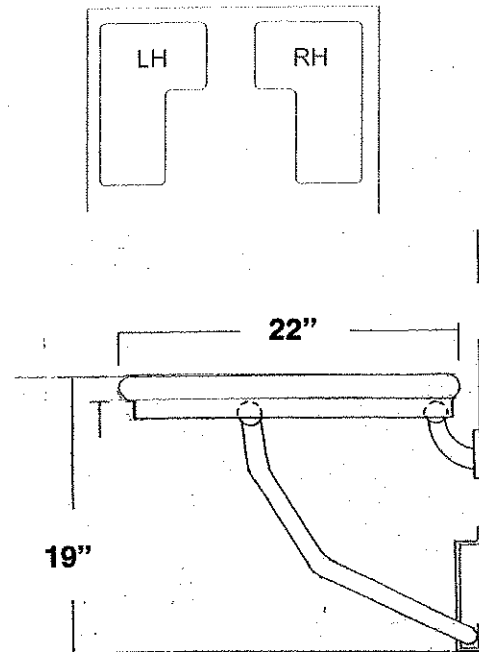
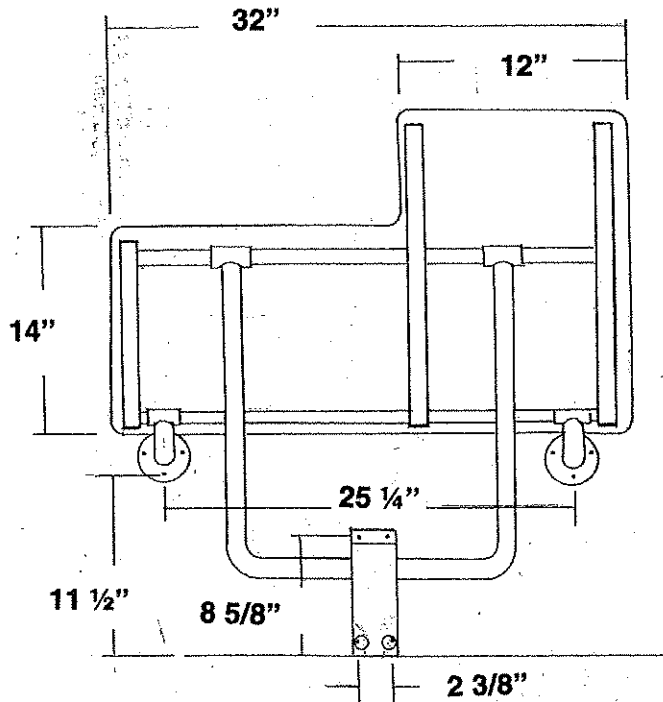


**U933-1A**  
**SHOWER SEAT**  
**RETRACTABLE**

JOB #

QTY

REV. DATE



**SPECIFICATIONS:**

**Seat:** Fabricated of 2 1/2" thick, naugahyde cushion (white) seamless design with all leading edges having a radius. Seat is secured to a 1/2" thick marine plywood.

**Tubing:** Fabricated of type 304 #18 ga stainless steel with #4 satin finish.

**Main Frame:** Type 304 #18 ga 1 1/4" with satin finish tubing. Underside has no exposed fasteners.

**Flanges:** Type 304 #18 gauge stainless steel with three (3) countersunk exposed mounting points. Underslung supports have a 1 1/4" OD. (Satin finish)

**Mounting Bracket:** Type 304 #14 gauge stainless steel "hat" style bracket with 4 mounting support points. Bracket acts as a guide to raise and lower seat platform and is equipped with four (4) points to secure to wall surface. For maximum support, bracket is mounted so the bottom is set on the finished floor surface.

**Adjustable Mounting Height:** Per ADA code, seating area of shower seats must be mounted at a height between 17"-19" above the finished floor. The vertical support legs allow the flexibility to mount the seat at the height per ADA/ state or local guidelines.

**U933-1A-Surface Mounted Retractable Shower Seat.**

Seat frame and supports are fabricated of 1 1/4" O.D. #18 gauge stainless steel tubing with a #4 satin finish. Seat cushion is constructed of 2 1/2" thick foam rubber and covered in white naugahyde.

**Overall Size:** 32"W x 22"D

Specify right (R) or left (L) hand seat.

**INSTALLATION:**

To comply with ADA Code, seat should be mounted at a height 17" - 19" above finished floor. **Check all state and local codes for proper mounting requirements.** Recommend in wall mounting on all shower seats. (BP10) Place seat up against wall making sure the extended part of seat has an offset no more than 1 1/2" away from wall. (Same as grab bar) Transfer mounting points to wall surface and drill pilot holes. Secure seat to surface with proper fasteners per each application. Snugly secure seat to surface and check seat to be level. If seat is level raise and lower seat to check path of travel. Finish securing seat after checking seat for proper operation. When properly mounted seat will support up to 250 lbs and will conform with ADA Code 4.21.3 and 4.26.3

**APPLICATION:**

To provide a surface mounted retractable one piece shower seat with stainless steel frame. Available in right or left hand configurations.

