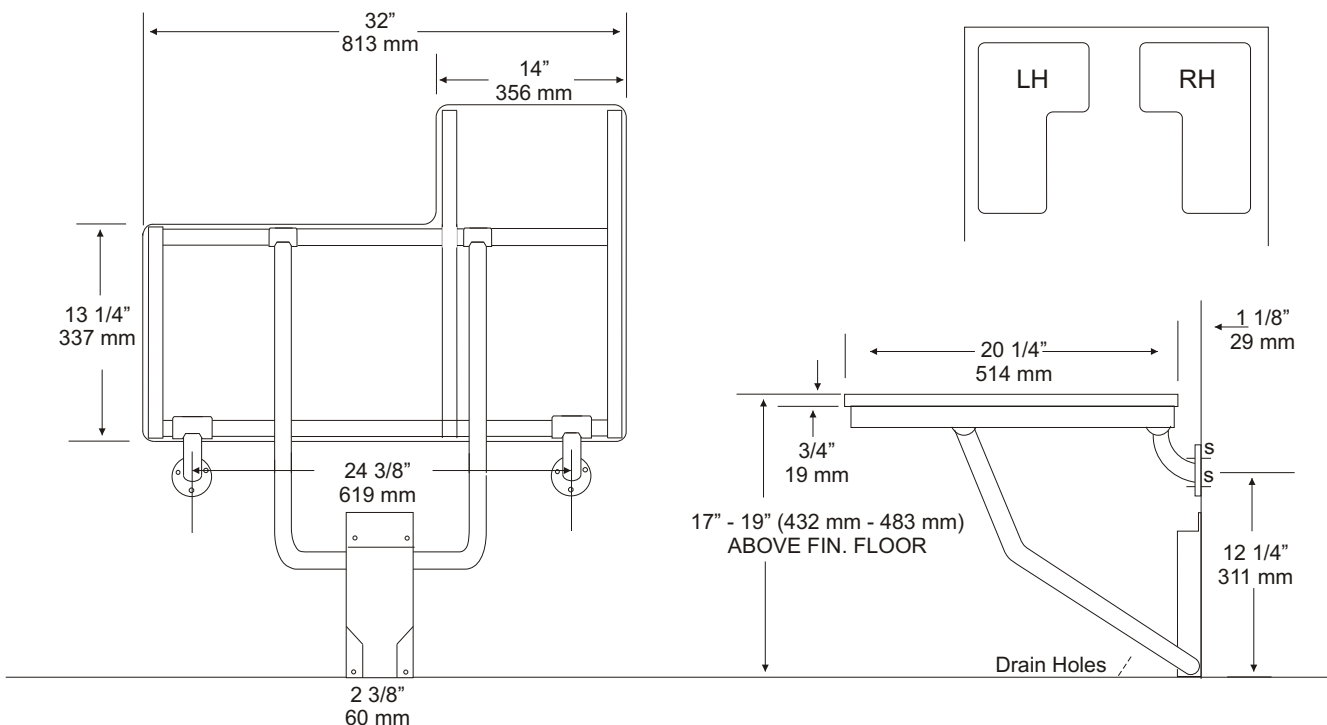


U937-1A SHOWER SEAT RETRACTABLE

JOB #:

Item:

QTY:



SPECIFICATIONS:

Seat: Fabricated of 3/4" thick, one piece polymers (white) with all leading edges having a radius to prevent injury. Seat is secured to frame with countersunk stainless steel rivets. Seat is 1 1/8" off finished wall.

Tubeing: Fabricated of type 304 #18 ga stainless steel with #4 satin finish.

Main Frame: 1 1/4" diameter square tubing with capped ends. Underside has no exposed fasteners.

Flanges: Type 304 #18 gauge stainless steel with three (3) countersunk exposed mounting points. Underslung supports have a 1 1/4" OD. (Satin finish)

Supports: Type 304 #18 ga stainless steel 1 1/4" dia. diagonal stainless steel support guides for raising and lowering of seat.

Mounting Bracket: Type 304 #14 gauge steel "hat" style bracket with 4 mounting support points. Bracket acts as a guide to raise and lower seat platform and is equipped with four (4) points to secure to wall surface. For maximum support, bracket is mounted so the bottom is set on the finished floor surface.

Overall Size: 32"W x 20 1/4"D (seating area)
813mm x 514mm

**Wall to floor mounting design provides equal distribution of weight to ensure safe operation.*

Verify Configuration:

U937-R: Right Handed _____

INSTALLATION:

To comply with ADA Code, seat should be mounted at a height 17" - 19" above finished floor. **Check all state and local codes for building requirements.** Recommend in wall mounting on all shower seats. (BP10) Place seat up against wall making sure the extended part of seat has an offset no more than 1 1/2" away from wall. (Same as grab bar) Transfer mounting points to wall surface and drill pilot holes. Secure seat to surface with proper fasteners for each application. Snugly secure seat to surface and check seat to be level. If seat is level raise and lower seat to check path of travel. Finish securing seat after checking seat for proper operation. When properly mounted seat will support up to 250 lbs and will conform with ADA Code 4.21.3 and 4.26.3.

APPLICATION:

To provide a surface mounted retractable one piece shower seat with stainless steel frame. Available in right or left hand configurations.



Form: U937-1A/2000