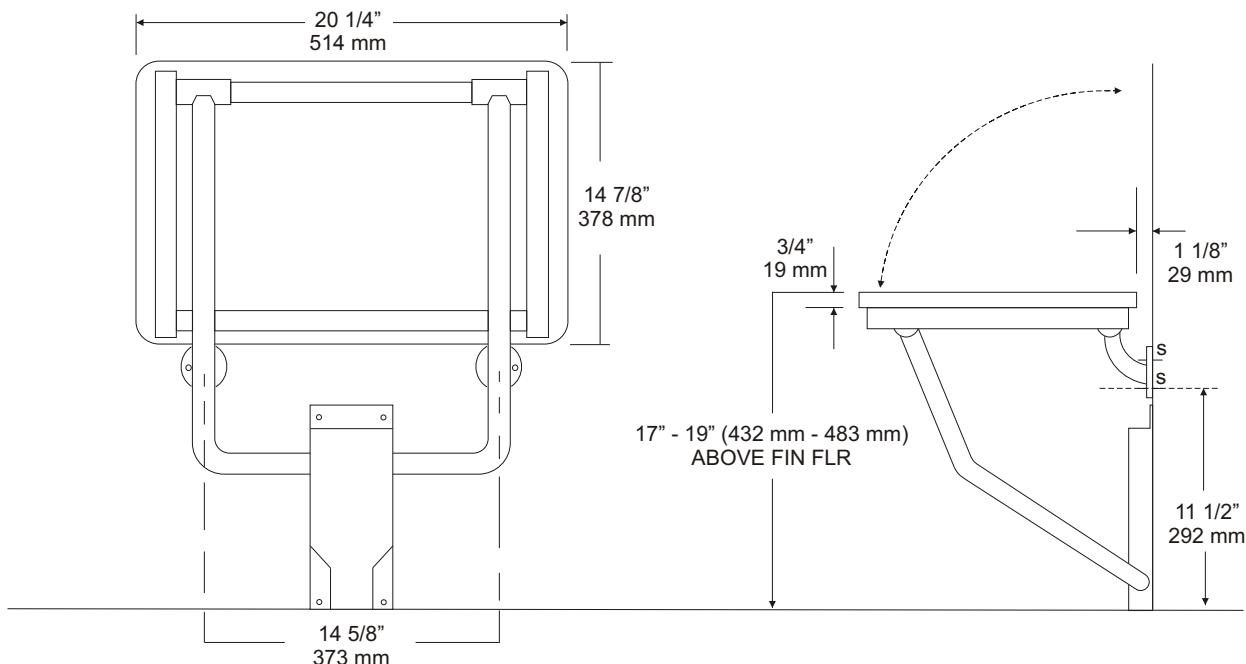


U939-1A
SHOWER SEAT
 RETRACTABLE

JOB #:

Item:

QTY:



SPECIFICATIONS:

Seat: Fabricated of 3/4" thick, one piece polymers (white) with all leading edges having a radius to prevent injury. Seat is secured to frame with countersunk stainless steel rivets. Seat is 1 1/8" off finished wall.

Tubing: Fabricated of type 304 #18 ga stainless steel with #4 satin finish.

Main Frame: 1 1/4" diameter square tubing with capped ends. Underside has no exposed fasteners.

Flanges: Type 304 #18 gauge stainless steel with three (3) countersunk exposed mounting points. Underslung supports have a 1 1/4" OD. (Satin finish)

Support: Type 304 #18 ga stainless steel 1 1/4" dia stainless steel support guide for raising and lowering of seat. Water does not build up in guides due to the drain hole at bottom of support.

Vertical Supports: Type 304 #11 ga stainless steel that can be mounted against wall (recommended) or on the finished floor.

Overall Size: 20 1/4"W x 14 7/8"D (seating area)
 514mm x 378mm

**Wall to floor mounting design provides equal distribution of weight to ensure safe operation.*

INSTALLATION:

To comply with ADA Code, seat should be mounted at a height 17" - 19" above finished floor. **Check all state and local codes for building requirements.** Recommend in wall mounting on all shower seats. (BP10) Place seat up against wall making sure the extended part of seat has an offset no more than 1 1/2" away from wall. (Same as grab bar) Transfer mounting points to wall surface and drill pilot holes. Secure seat to surface with proper fasteners per each application. Snugly secure seat to surface and check seat to be level. If seat is level raise and lower seat to check path of travel. Finish securing seat after checking seat for proper operation. When properly mounted seat will support up to 250 lbs and will conform with ADA Code 4.21.3 and 4.26.3

APPLICATION:

To provide a surface mounted retractable one piece shower seat with stainless steel frame. Ideal for small shower stalls and overnight stay facilities.

