

**U997-SF, U998
 SURGICAL GLOVE DISPENSER**

JOB #:

ITEM #:

QTY:

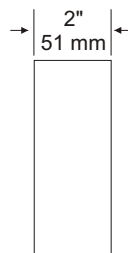
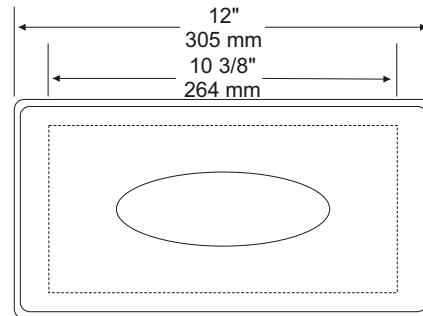
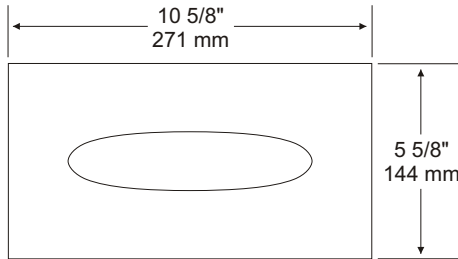
MOUNTING

HANDING

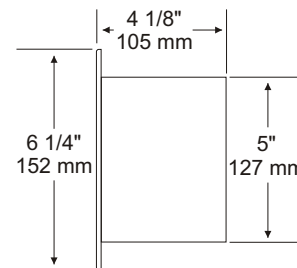
TYPE

SIZE

OTHER



U997-SF



U998

SPECIFICATIONS:

U997-SF: (Surface Mounted)

Unit is fabricated of type 304 #22 ga stainless steel with a #4 satin finish.

Cover: Secured to body by means a full length stainless steel piano type hinge. Cover is kept close by means of an embossed friction catch lock.

Dispensing Area: Die stamped with hemmed edges to prevent injury or tearing of gloves when being dispensed.

U998: (Recessed)

Face Plate: Fabricated of #22 ga stainless steel with a #4 satin finish. Cover snaps in place to body.

Body: Fabricated of pre-plated steel one piece construction.

Dispensing Area: Die stamped with hemmed edges to prevent injury or tearing of gloves when being dispensed.

U997-SF

Overall Size: 10 5/8"W x 5 5/8"H x 2 1/4"D
 271mm x 144mm x 57mm

Capacity: 1 box all popular brands (max 2"D)

U998

Overall Size: 12"W x 6 1/4"H x 4 1/8"D
 305mm x 159mm x 105mm

Wall Opening: 10 3/4"W x 5 1/4"H x 4"D
 273mm x 133mm x 102mm

Capacity: 1 box all popular brands (max 3 3/4"D)

INSTALLATION:

U997-SF: Place unit on wall and transfer mounting point locations making sure unit is level. Secure with proper fasteners per application. Fill with proper gloves and secure cover.

U998: Provide a rough wall opening 10 3/4"W x 5 1/4"H x 4"D at desired or specified location. Insert unit into opening making sure to be true and plumb. Secure with proper fasteners per application. Fill with proper gloves and snap cover on unit.

APPLICATION:

To provide a stainless steel surface mounted or recessed surgical glove dispenser.



Form: U997SF/2000