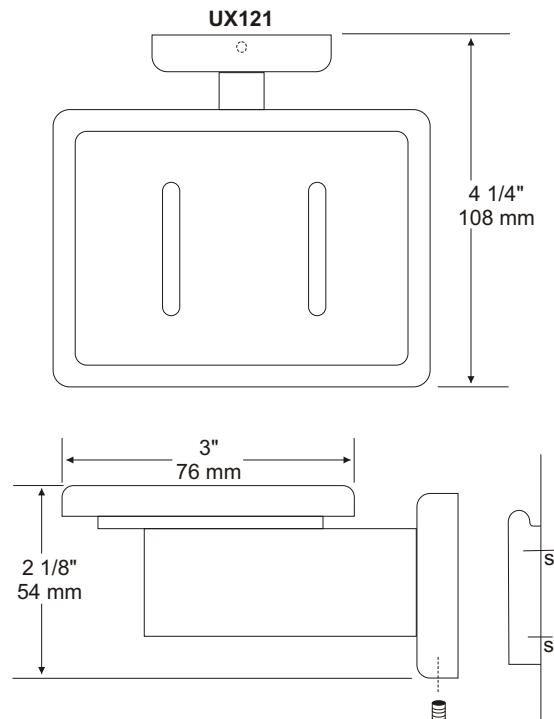
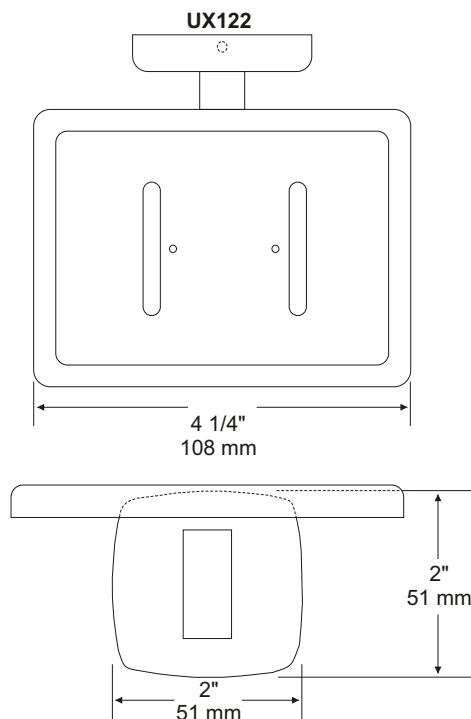


# UX121, UX122 BATH ACCESSORIES

JOB #:

Item:

QTY:



### SPECIFICATIONS:

All UX bath accessories series are fabricated of type 304 stainless steel with a bright finish. Mounting plates are concealed with a snap-on type plate secured by a set screw.

**Flange:** 2" x 2" flange #22 ga stainless steel.

**Post:** #22 ga stainless steel.

**Mounting Plate:** #16 ga concealed wall plate. Set screw secures mounting plate and flange.

**Soap Dish:** #22 ga stainless steel.

**UX121:** Soap Dish (w/o drain holes)

**Overall Size:** 4 1/4"W x 2 1/8"H x 4 1/4"D  
 108mm x 54mm x 108mm

**UX122:** Soap Dish (with drain holes)

**Overall Size:** 4 1/4"W x 2 1/8"H x 4 1/4"D  
 108mm x 54mm x 108mm

### INSTALLATION:

Provide an area on wall surface at desired or specified location. Place concealed mounting plate on wall surface and transfer mounting points. Drill pilot holes and secure with proper fasteners. Place snap-on flange over plate and secure with set screw.

**Suffix:** Add suffix -SF to model number for satin finish in lieu of bright polished finish.

### APPLICATION:

To provide a surface mounted stainless steel soap dish with or without drain holes.

