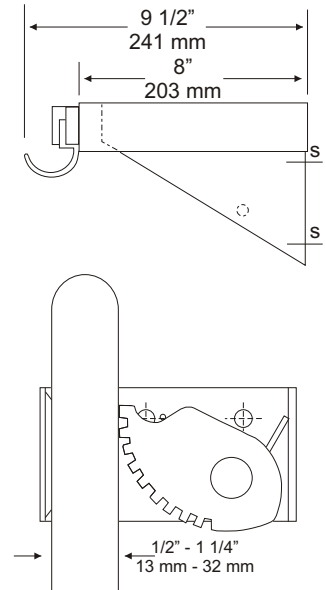
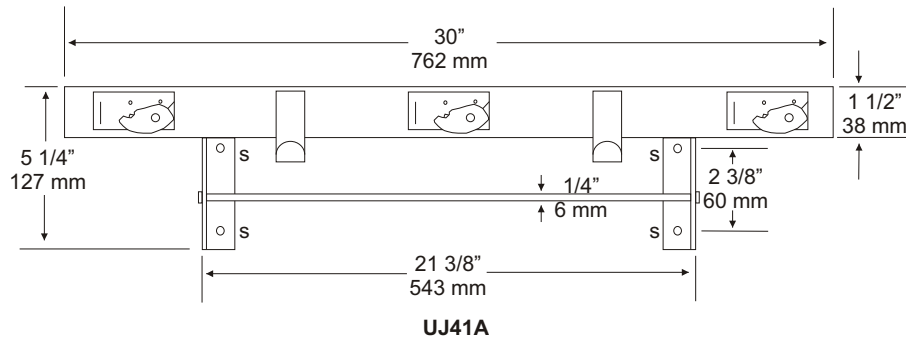


**UJ41
 MOP HOLDER WITH
 UTILITY SHELF**

JOB #:

Item:

QTY:



SPECIFICATIONS:

Shelf: Type 304 #18 ga stainless steel with a #4 satin finish, 8" deep (203mm) bent down 1 1/2" with 1/2" returns back for rigidity and safety.
Mop Holders: UJ19 plated reinforced steel with serrated cam type hard rubber mop or broom holder. Holds handles 1/2" to 1 1/4" diameter.
Rag Hooks: Type 304 #18 ga stainless steel.
Mounting Brackets: Type 304 #16 ga stainless steel with exposed mounting points.
Drying Rod: 1/4" diameter stainless steel rod, secured to outside of support/mounting brackets with locking caps.

Verify Style:

- UJ41A:** 30"L (762mm) with 3 holders, 2 hooks.
Rod Length: 21 3/8" (565mm)
- UJ41B:** 36"L (914mm) with 4 holders, 3 hooks.
Rod Length: 27 3/8" (692mm)
- UJ41C:** 42"L (1066mm) with 5 holders, 4 hooks.
Rod Length: 33 3/8" (845mm)
- UJ41D:** 48"L (1219mm) with 6 holders, 5 hooks.
Rod Length: 39 3/8" (997mm)

INSTALLATION:

Place unit to wall surface making sure unit is level and transfer mounting points. Drill pilot holes and secure unit with proper fasteners per application.

APPLICATION:

To provide a stainless steel surface mounted mop holder and utility shelf.



Form: UJ41/2000