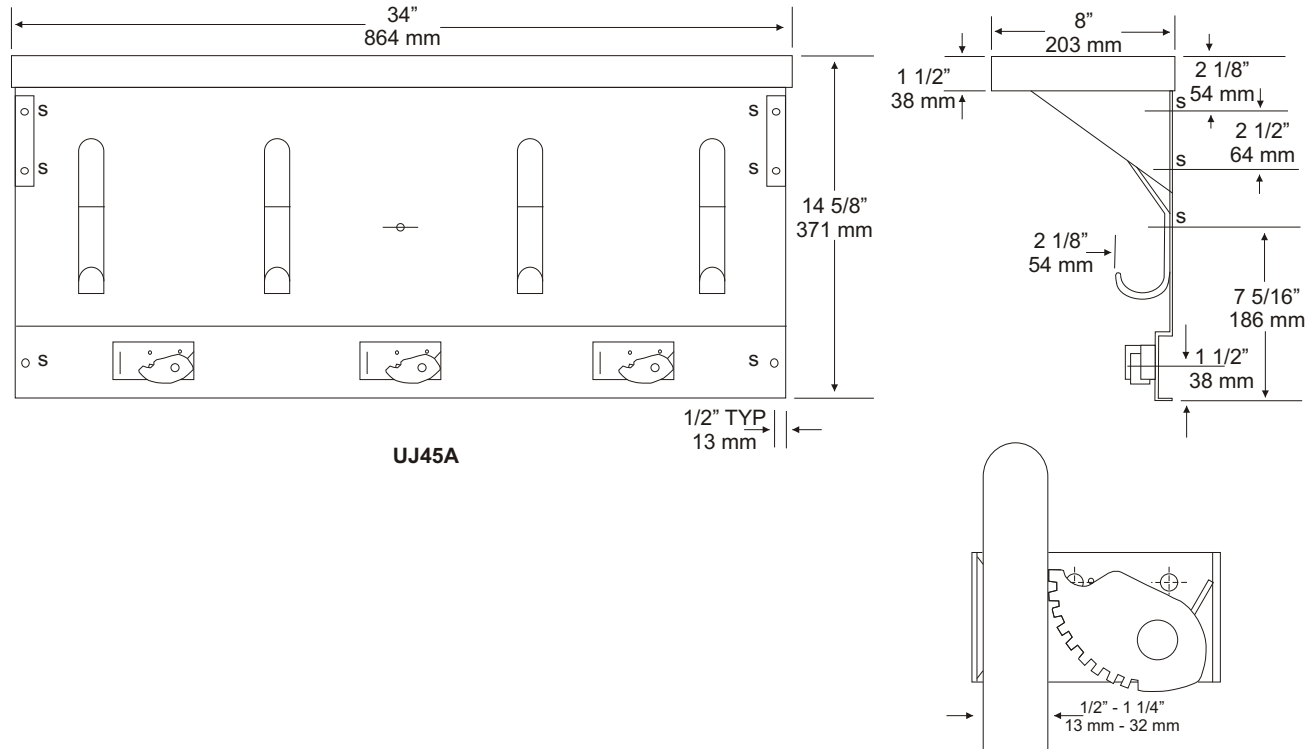


UJ45
MOP HOLDER WITH
UTILITY SHELF

JOB #:

Item:

QTY:



SPECIFICATIONS:

Shelf: Type 304 #18 ga stainless steel with a #4 satin finish, 8" deep (203mm) bent down 1 1/2" with 1/2" returns back for rigidity and safety.

Back: Type 304 #18 ga stainless steel, #4 satin finish. Lower portion has a formed channel for added rigidity to support the mop holders.

Mop Holders: UJ19 plated reinforced steel with serrated cam type hard rubber mop or broom holder. Holds handles 1/2" to 1 1/4" diameter.

Hooks: Type 304 #14 ga stainless steel.

Mounting Brackets: Type 304 #16 ga stainless steel with exposed mounting points.

Verify Style:

- UJ45A:** 34"L (864mm) with 3 holders, 4 hooks.
- UJ45B:** 44"L (1118mm) with 4 holders, 5 hooks.
- UJ45C:** 54"L (1372mm) with 5 holders, 6 hooks.

INSTALLATION:

Place unit to wall surface making sure unit is level and transfer mounting points. Drill pilot holes and secure unit with proper fasteners per application.

APPLICATION:

To provide a stainless steel surface mounted mop holder and utility shelf.

