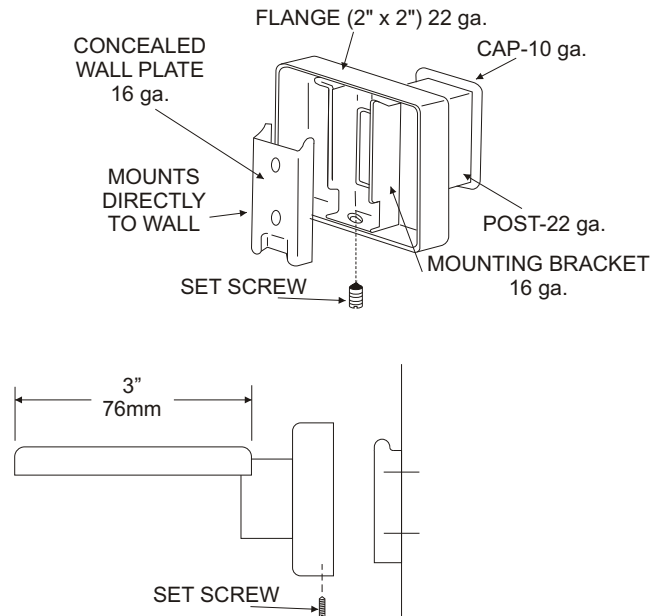
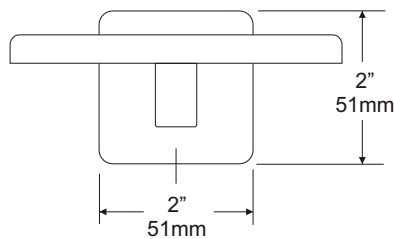
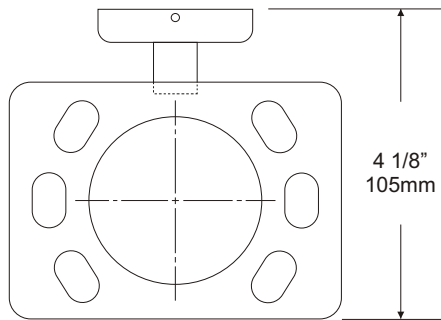


UX120 BATH ACCESSORIES

JOB #:

Item:

QTY:



SPECIFICATIONS:

All UX bath accessories series are fabricated of type 304 stainless steel with a bright finish. Mounting plates are concealed with a snap-on type plate secured by a set screw.

Flange: 2" x 2" flange #22 ga stainless steel.

Post: #22 ga stainless steel.

Mounting Plate: #16 ga concealed wall plate. Set screw secures mounting plate and flange.

Tumbler Holder: #22 ga stainless steel.

UX120: Toothbrush & Tumbler Holder

Overall Size: 4 5/16"W x 2"H x 4 1/8"D
 110mm x 51mm x 105mm

INSTALLATION:

Provide an area on wall surface at desired or specified location. Place concealed mounting plate on wall surface and transfer mounting points. Drill pilot holes and secure with proper fasteners. Place snap-on flange over plate and secure with set screw.

Suffix: Add suffix -SF to model number for satin finish in lieu of bright polished finish.

APPLICATION:

To provide a surface mounted stainless steel toothbrush & tumbler holder.



Form: UX120/2000