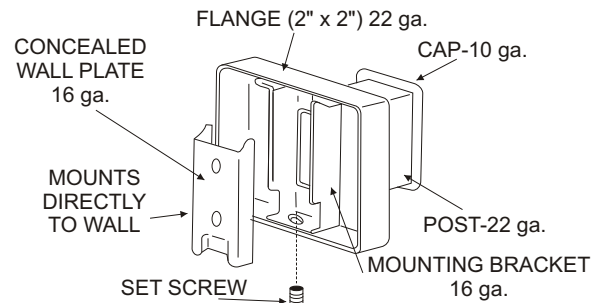
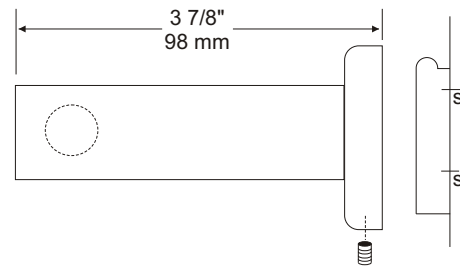
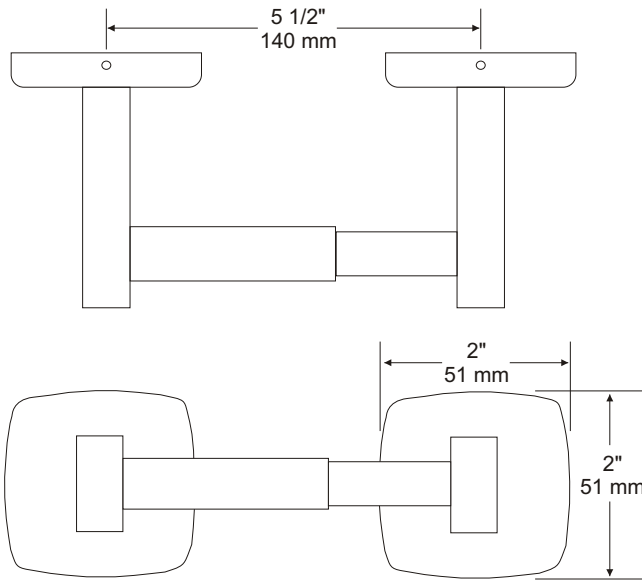


UX141, UX142 BATH ACCESSORIES

JOB #:

Item:

QTY:



SPECIFICATIONS:

All UX bath accessories series are fabricated of type 304 stainless steel with a bright finish. Mounting plates are concealed with a snap-on type plate secured by a set screw.

Flange: 2" x 2" flange #22 ga stainless steel.

Post: #22 ga stainless steel.

Mounting Plate: #16 ga concealed wall plate. Set screw secures mounting plate and flange.

Spindle: Spring loaded, chrome plated plastic.

UX141: Single Roll Tissue Dispenser

Overall Size: 6-1/2" W x 2"H x 3-7/8"D
 191mm x 51mm x 41mm

UX142: Double Roll tissue Dispenser

Overall Size: 13" W x 2"H x 3-7/8"D
 330mm x 51mm x 41mm

Options: U007 Theft Resistant Spindle
 -SF Satin Finish

INSTALLATION:

Provide an area on wall surface at desired or specified location. Place concealed mounting plate on wall surface and transfer mounting points. Drill pilot holes and secure with proper fasteners. Place snap-on flange over plate and secure with set screw. Centerline space between posts is aprx. 5 1/2"W. Repeat same steps for other post.

Place a roll of tissue on spindle and place in posts before securing the covers down securely. If roll spins freely, secure post with set screw.

All toilet tissue dispensers must have a non-control delivery to meet ADA code. (4.16)

Suffix: Add suffix -SF to model number for satin finish in lieu of bright polished finish.

APPLICATION:

To provide a surface mounted stainless steel single or dual toilet tissue dispenser.



Form: UX141/2000