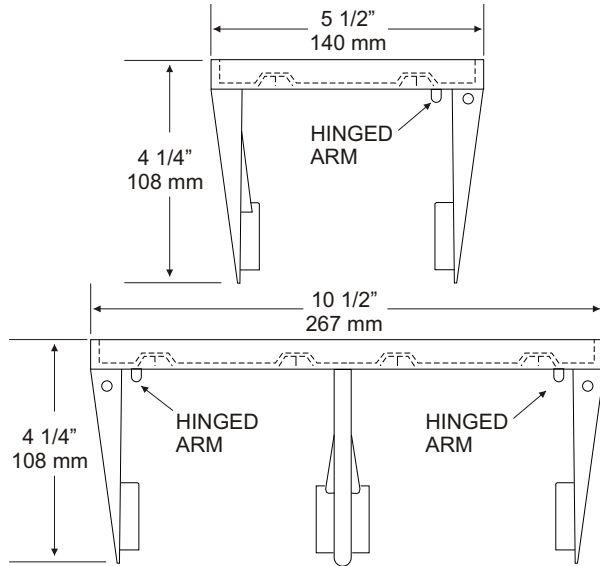


**U813, U814
 TOILET TISSUE DISPENSER**

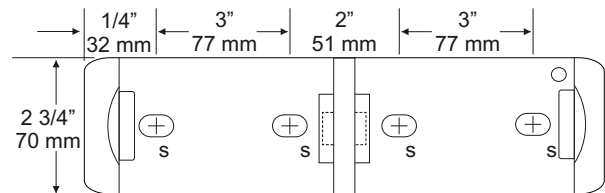
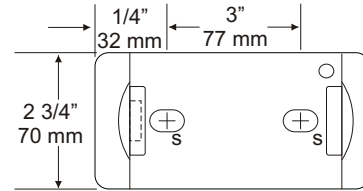
JOB #:

Item:

QTY:



U813



U814

SPECIFICATIONS:

Mounting Plate: Bright chrome plated #22 ga steel formed for maximum strength.

Arms: Hinged arms (one for each roll) are #22 ga bright chrome plated. The other arm is fixed. Both arms are fabricated with an extended support to maintain toilet tissue roll. There are no spindles or control bar to support roll. Rolls can be changed by depressing button to release one arm for each roll. This is a controlled type dispensing system.

U813: Single Roll Dispenser.

Overall Size: 5 1/2"W x 2 3/4"H x 4 1/4"D
 140mm x 70mm x 108mm

Capacity: One standard roll 1000 sheet two ply or 1500 sheet single ply roll.

U814: Dual Roll Dispenser.

Overall Size: 11 1/2"W x 2 3/4"H x 4 1/4"D
 292mm x 70mm x 108mm

Capacity: Two standard rolls 1000 sheet two ply or 1500 sheet single ply rolls.

INSTALLATION:

Provide an area on wall surface at desired or specified location. Hold unit to surface and make sure unit is level. Transfer mounting points to wall and drill pilot holes. Secure units with proper fasteners per application. Depress button on back plate to unlock control arm to load paper. Snap arm close to lock roll in place.

APPLICATION:

To provide a surface mounted theft resistant, control delivery single or dual toilet tissue dispenser.

Form: U813U814/2000