

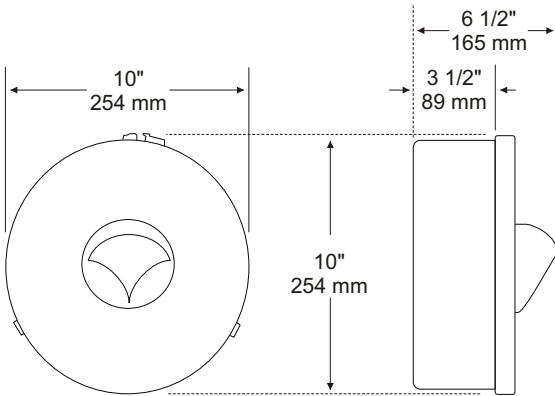
**U833, U833-12
 CENTER PULL TOILET
 TISSUE DISPENSER**

JOB #:

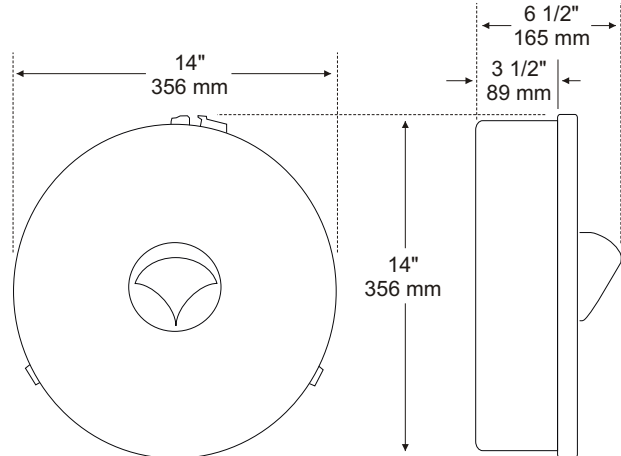
ITEM #:

QTY:

Mounting	Handing	Type	Size	Other



U833



U833-12

SPECIFICATIONS:

Toilet Tissue: Toilet tissue required for the dispensers is a "Coreless" design. When the roll is initially installed there is a core that acts as a starter strip that is removed to start the flow of tissue. The roll is dispensed from the center out, not the conventional way, outside into the core. The tissue is dispensed through the cover opening.
Cover: Fabricated of translucent ABS material with a patented tissue guide that allows the tissue to be pulled from the face of the dispenser and torn without the need of any serrated edges. Cover locks to body with concealed metal tab that is theft resistant.
Body: Fabricated of high impact white ABS material.
Support Tabs: Tabs are mounted inside cabinet that support roll from collapsing.

U833: Surface mounted 9" diameter dispenser.
Overall Size: 10" Dia x 6 1/2" Depth
 254mm x 165mm

U833-12: Surface mounted 12" diameter dispenser.
Overall Size: 14" Dia x 6 1/2" Depth
 356mm x 165mm

Paper Model number:
CP811: 9" diameter rolls
CP812: 12" diameter rolls

INSTALLATION:

Provide an area on wall surface at desired or specified location. Take cover off and hold unit to surface and transfer mounting points. Drill pilot holes and secure with proper fasteners per application. Install tabs in body in the designated areas. Remove core (starter strip) and place in body. Pull paper through cover tissue guide and secure cover to body.
Semi-recessing: (Max recessed depth for unit is 3 1/4" to face of finished wall) Remove cover and place body on wall surface and lightly trace outline of body. Cut out along line and remove all jagged edges. Place unit in opening and secure with proper fasteners. Follow same loading instructions.

Toilet tissue dispenser cannot have any type of controlled delivery to comply with ADA code. (4.16)

APPLICATION:

To provide a centerpull toilet tissue dispenser that can be surface mounted or semi-recessed without the need of collars or adapters, that comply with ADA.



Form: U833/2000