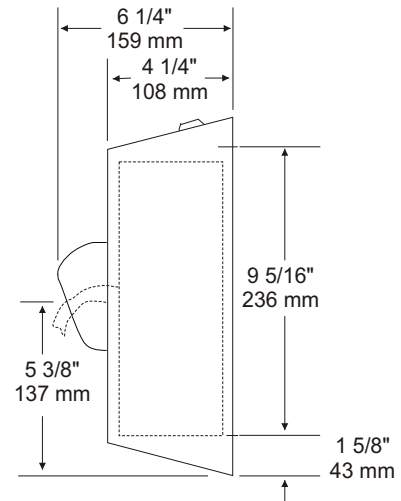
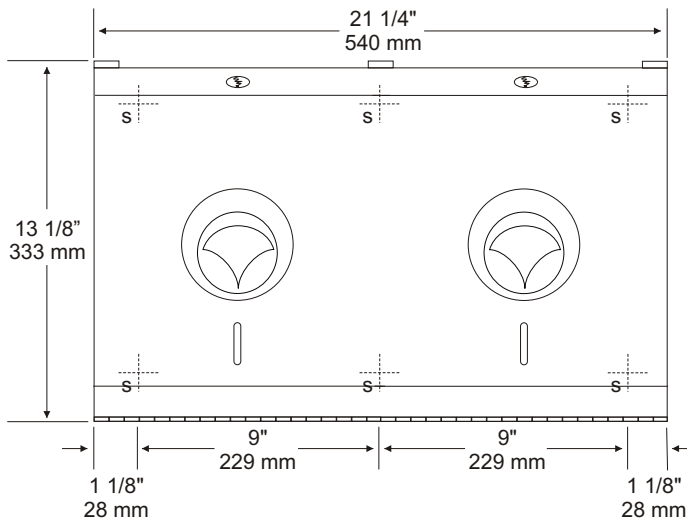


**U835-DB
 CENTER PULL TOILET
 TISSUE DISPENSER**

JOB #:

Item:

QTY:



SPECIFICATIONS:

Toilet Tissue: Toilet tissue required for the dispensers is a "Coreless" design. When roll is initially installed, there is a core that acts as a starter strip that is removed to start flow of tissue. The roll is dispensed from the center out, not the conventional way, outside into the core. The tissue is dispensed through the cover opening.

Body: Type 304 #1 on 8 ga stainless steel with a #4 satin finish, with one piece Uni-body construction. Sloping hood prevents articles from being placed on.

Cabinet Back: Type 304 #22 ga stainless steel formed for rigidity. One piece back is equipped with striker tabs.

Tissue Guide: Translucent ABS material with a tissue guide that allows paper to be pulled from the front without any serrated edges. (patented)

Hinges: Heavy duty, stainless steel piano type hinge.

Locks: Pin tumbler, commercial quality keyed like all other A & J cabinets.

U835-DB: Surface Mounted Dual dispenser

Overall Size: 21 1/4"W x 13 1/8"H x 6 1/4"D
 540mm x 333mm x 165mm

Capacity: Two 9"(222mm) diameter center pull rolls.

Paper model number: CP811, 9" diameter.

INSTALLATION:

Provide an area on wall at desired or specified location. Unlock cabinet and place unit on wall making sure cabinet is level. Transfer mounting points to surface and drill pilot holes. Secure unit with proper fasteners per application. Load toilet tissue in cabinet and put tissue through cabinet door towel guide. Secure cabinet.

Toilet Paper Dispensers: All dispensers that are to meet ADA code cannot have any type of controlled delivery. (4.16)

APPLICATION:

To provide a surface mounted dual centerpull jumbo roll toilet tissue dispenser. This will reduce the time of refilling the dispensers and when mounted properly, unit will meet ADA code.



Form: U835DB/2000