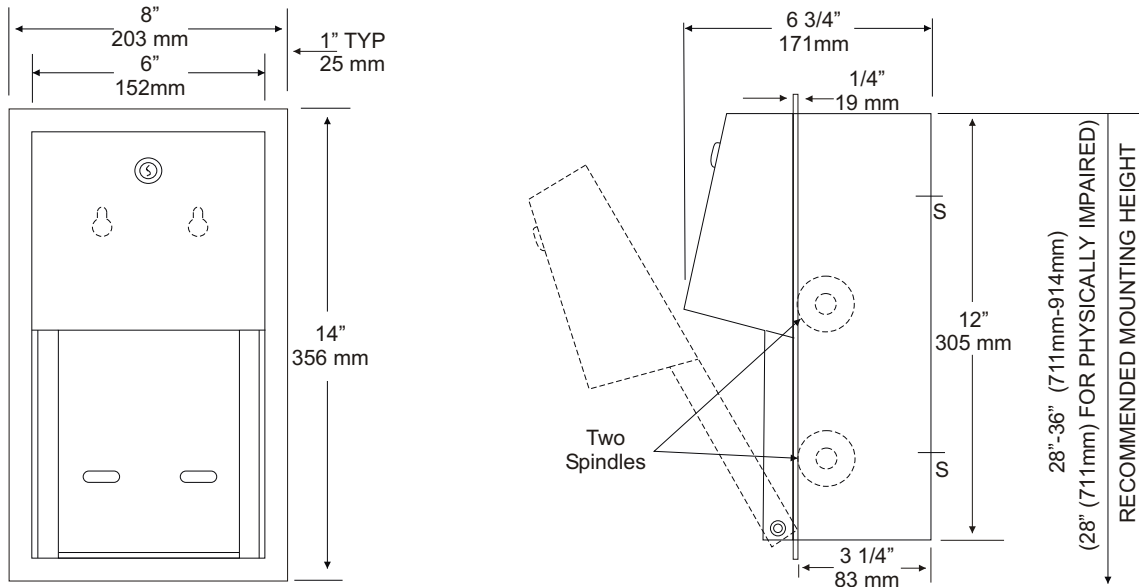


**U841A  
 TOILET TISSUE DISPENSER**

JOB #:

Item:

QTY:



**SPECIFICATIONS:**

**Body:** Fabricated of type 304 #22 ga stainless steel with #4 satin finish. Concealed inner dispensing mechanism is type 304 #18 ga stainless steel.

**Back:** Fabricated of type 304 #18 ga stainless steel with multiple welds to cabinet body forming a one piece construction.

**Hood:** Fabricated of type 304 #18 ga stainless steel finished to match cabinet body. Hood is secured with stainless steel hinge rivets to cabinet body. Top roll of tissue will not drop down unless the bottom roll has been depleted. When unit is closed, this will provide a theft resistant, non-control operation and reduce vandalism.

**Flange:** One piece construction without miters or welds fabricated of type 304 #22 ga stainless steel, with #4 satin finish to match cabinet.

**Locks:** Pin tumbler, commercial quality locks keyed like all other A & J cabinets.

**Spindles:** (U005A) Fabricated of one-piece molded high impact black ABS material.

**Overall Size:** 8"W x 14"H x 6 3/4"D  
 203mm x 356mm x 171mm

**Wall Opening:** 6 3/8"W x 12 3/8"H x 3 5/8"D  
 162mm x 314mm x 93mm

**Capacity:** 2 Standard size rolls up to 5 3/4" diameter.  
*\*Sheet capacity may vary from roll to roll depending on the manufacturer and sheet style selected.*

**Recommend:** CP801, CP802, CP807, CP808, or CP809 toilet tissue.

**INSTALLATION:**

Coordinate installation with architect or contractor to avoid pipes, vents, etc... Provide a rough wall opening in mounting surface at desired or specified location. Open cabinet, remove spindles and insert into opening. Secure unit with proper fasteners per each application. Load toilet tissue on rollers, place in concealed track and close hood. Raise lower roll against upper and take hand away. Lower roll should fall into place with upper roll remaining up above the hood line. If loaded properly, top roll will not fall for use until bottom roll has been depleted. When servicing dispenser, full rolls must be used on both spindles to insure proper operation.

To meet ADA code, dispensers cannot have any type of control delivery. (4.16)

**APPLICATION:**

To provide a recessed, stainless steel, hooded, dual roll toilet tissue dispenser that has a non-control delivery. When mounted properly, unit will comply with ADA Code 4.16.



Form: U841A/2000