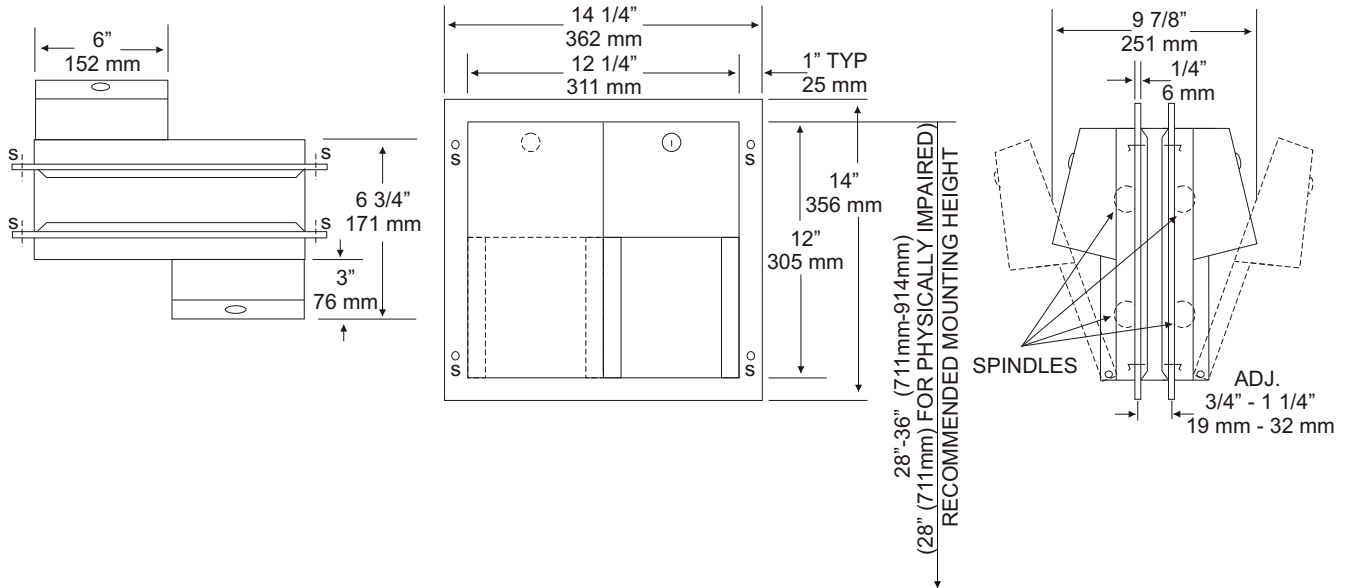


**U842A
 TOILET TISSUE DISPENSER
 PARTITION MTD. DUAL**

JOB #:

Item:

QTY:



SPECIFICATIONS:

Body: Fabricated of type 304 #22 ga stainless steel with #4 satin finish. Concealed inner dispensing mechanism is type 304 #18 ga stainless steel.

Back: Fabricated of type 304 #18 ga stainless steel with multiple welds to cabinet body forming a one piece construction.

Hoods: Fabricated of type 304 #18 ga stainless steel finished to match cabinet body. Hood is secured with stainless steel hinge rivets to cabinet body. Top roll of tissue will not drop down unless the bottom roll has been depleted. When unit is closed, this will provide a theft resistant, non-control operation and reduce vandalism.

Flanges: One piece construction without miters or welds fabricated of type 304 #22 ga stainless steel, #4 satin finish. Adjustable to fit 3/4" - 1 1/4" thick partitions.

Locks: Pin tumbler, commercial quality locks keyed like all other A & J cabinets.

Spindles: (U005A) Fabricated of one-piece molded high impact black ABS material.

Overall Size: 14 1/4"W x 14"H x 9 7/8"D
 362mm x 356mm x 251mm

Wall Opening: 12 1/2"W x 12 1/4"H
 318mm x 311mm

Capacity: 4 Standard size rolls up to 5 3/4" diameter.
**Sheet capacity may vary from roll to roll depending on the manufacturer and sheet style selected.*

INSTALLATION:

Coordinate installation with architect or contractor. Provide a rough wall opening in mounting surface at desired or specified location making sure unit will be level. Open cabinet, remove spindles and adjustable flange. Insert into opening and secure unit with proper fasteners per each application. Secure adjustable flange with proper fasteners. Load toilet tissue on rollers, place in concealed track and close hood. Raise lower roll against upper and take hand away. Lower roll should fall into place with upper roll remaining up above the hood line. If loaded properly, top roll will not fall for use until bottom roll has been depleted. Follow same procedure for both sides. When servicing dispenser, full rolls must be used on both spindles to insure proper operation.

APPLICATION:

To provide a partition mounted, stainless steel, hooded, dual roll toilet tissue dispenser that has a non-control delivery. Unit will accommodate two stalls side by side. When mounted properly, unit will comply with ADA Code 4.16.



Form: U842A/2000